

244K/324K

48–52 kW (64–70 net hp)



JOHN DEERE



Productive, compact, and ready for anything.

Need a compact loader to get big results? Step up to the tight-turning, heavy-lifting 244K and 324K. These versatile machines combine outstanding maneuverability, travel speed, breakout force, reach, and stability to tackle tasks other machines can't. Oscillating stereo steering delivers a smooth turning radius that's up to 17-percent tighter than comparable loaders — for faster cycle times and better material retention over rough terrain. Add spacious cabs and extra uptime from sealed electrical connections, more durable axles, and extended service intervals, and you've got multipurpose machines that are ready, able, and willing to take on whatever work you've got.



Key specifications	244K	324K
Net peak power	48 kW (64 hp)	52 kW (70 hp)
Full-turn tipping load	3712 kg (8,183 lb.)	4430 kg (9,766 lb.)
Bucket capacity range	0.8–1.1 m ³ (1.0–1.4 cu. yd.)	1.1–1.6 m ³ (1.4–2.0 cu. yd.)
Bucket breakout force	4895 kg (10,792 lb.)	5608 kg (12,364 lb.)
Operating weight	5470 kg (12,060 lb.)	6390 kg (14,087 lb.)

Unique stereo steering makes these compact loaders even more productive, for tight turns and extra agility in close quarters.

100-percent front differential lock is easily activated through a push button on the joystick.

Extended service intervals help maximize uptime.

What others call options, we call standard — return to dig, quick-coupler, high travel-speed range, and buckets from 0.8–1.1 m³ (1.0–1.4 cu. yd.) for the 244K and 1.1–1.6 m³ (1.4–2.0 cu. yd.) for the 324K.

EPA Final Tier 4 (FT4) emission-certified four-cylinder diesel engines deliver power without compromise.

Our dealers can work with you to add additional solutions to meet the specific needs of your business, such as extended warranties, customized maintenance and repair agreements, fluid sampling, and much more.






Run in some pretty tight circles.

Navigating crowded jobsites often isn't easy. While other machines are frequently forced into three-point turns (or worse), the oscillating stereo steering of the nimble 244K and 324K Loaders allows a tight turning radius (3.51 m [138 in.] for the 244K and 3.78 m [149 in.] for the 324K) for unsurpassed maneuverability. Delivers higher tipping load capacities, too. What's more, the hydrostatic drivetrain's infinitely variable range lets you precisely match travel speed to the work at hand. So you can inch ahead while maintaining full hydraulic power. Or max out at a quick 30 km/h (19 mph) for the 244K and 28 km/h (17 mph) for the 324K. Move more materials, more quickly, and more efficiently. Without running yourself ragged.



1. The 244K and 324K turn tight but articulate less, keeping the center of gravity and ballast in line to counteract load forces — for superior full-turn tipping-load capacities.
2. Oscillating rear axle and elastic articulation at the pivot smooth the ride for greater material retention and reduced operator fatigue.
3. With their long reach, these compacts easily dump to the center of tandem-axle trucks for quicker and easier loading.
4. Tires on single-piece rims deliver the traction and stability you need.

Boom float allows easy back dragging for finish grading and cleaning up jobsites. Manual low-speed differential lock delivers the traction needed to go deeper into the pile for bigger bucket loads. Unlike comparable-size machines, return-to-dig is standard.



Easy to get in. Easy to get working.

Climb aboard and see why the 244K or 324K take a back seat to nothing. Sound-suppressed walk-through cab provides ample leg- and headroom, excellent all-around visibility, and one smooth ride. Single lever with F-N-R switch controls all boom and bucket functions, and standard return-to-dig is just a flick-of-the-wrist away. Gauges in the forward console are clearly visible, intuitive, and easy to read. Tilt steering, multi-adjustable suspension seat, electronic monitor, convex mirrors inside and out, and many more productivity-boosting features are also standard.



1. Boom and bucket control, F-N-R, and differential lock are on the same low-effort lever for convenient single-handed control.

2. Easy-to-read monitor tracks rpm, hours, and more. Warning lights alert operators of any machine issues.

3. Low- and high-speed ranges provide infinitely variable travel speeds from standstill to best-in-class standard speed 30 km/h (19 mph) for the 244K and 28 km/h (17 mph) for the 324K.

4. Oscillating axle/elastic articulation reduces cab tilt by as much as 50 percent, for a smoother ride that's easier on both operator and machine.

Highly efficient HVAC system helps make your operator even more productive. Automotive-type louvers help keep the view clear, the cab comfortable.

Inching/brake pedal lets you slow travel speed while keeping engine rpm high for optimum hydraulic response and control. Or the operator can employ standard shift on the fly.

Built to handle the toughest jobs — yours.

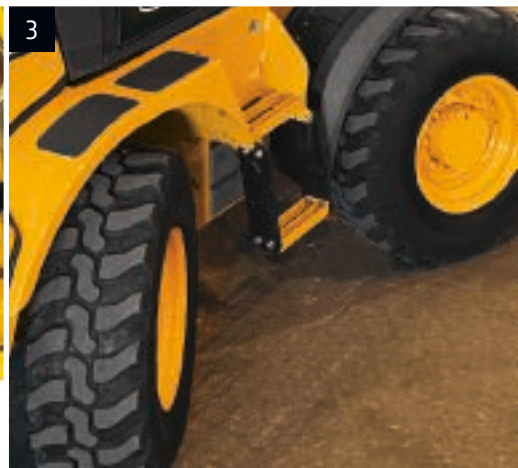
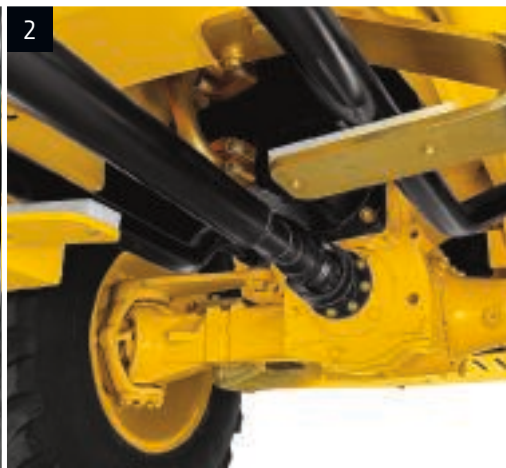
The hardworking 244K and 324K increase uptime with everyday toughness and help improve your bottom line with never-say-die durability. They incorporate many of the same downtime-minimizing features found on our larger loaders, including sealed electrical connectors and self-adjusting wet-disc brakes. Help keep your operator out of harm's way, too, with numerous safety features such as automatic park brake, bypass-start protection, slip-resistant steps, and convenient handholds. If it's uptime you demand, the 244K and 324K are ready to work wherever and whenever you are.



1. Remote test ports enable technicians to quickly and conveniently troubleshoot problems.

2. Steering linkage is positioned where it's protected and supported by brackets with easily replaceable wear strips.

3. Angled self-cleaning steps and ergonomically positioned grab bars make getting in and out of the cab easier.





4. A/C condenser tilts out and away from the radiator for easier cleanout. Doesn't require draining fluids or disconnecting hoses.

5. Wear-resistant hoses are routed where they're protected. Heavy-duty articulation joints are strong and durable.

Wet-disc brakes in the heavy-duty axles self-adjust and are sealed from moisture and contaminants for long, trouble-free life.

Proportional fan runs only as needed to provide optimal cooling for reduced wear and tear on cooling components, less noise, and lower fuel consumption.

Diesel engines run quiet and meet EPA Final Tier 4 (FT4) non-road emission regulations. So they can work where rigid sound- and air-quality standards exist.

Access to the hydraulic loader valve, differential lock, optional ride control, and other components is quick and convenient.



4

5

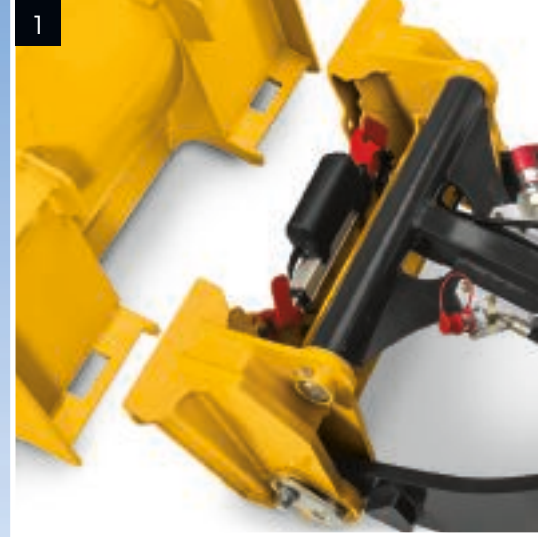


If it's not one thing, it's another.

Why invest in a bunch of specialized machines when the highly versatile 244K or 324K can do the job? With a standard pin-type hydraulic quick-coupler, you can go from bucket to forks quickly and easily. Or opt for a skid-steer Quik-Tatch™ coupler that enables these jack-of-all-trades machines to utilize an even wider array of skid-steer-compatible Worksite Pro™ attachments. Operation is easy, with joystick and third- and fourth-function pilot controls conveniently located at your fingertips. Regardless of how you equip them, the 244K and 324K will be the most versatile compacts on your worksite.

Unobstructed line of sight to attachments makes switchover quick and easy.

Whether you're shuttling sand or carving through clay, we have the correct bucket for the task.



1. If you change attachments often, you'll appreciate the optional push-button-activated skid-steer-style coupler that lets you connect and release attachments quickly, without tools or leaving the seat.
2. Blades, buckets, cold planers, and snow blowers make these loaders naturals for removing whatever Mother Nature puts in your way.
3. Scrap and brush-tine grapples let you move a variety of materials — from scrap bales to branches.
4. The 244K and 324K feel right at home on the farm or the feedlot. Equipped with bale spears, forks, or buckets, these highly maneuverable compacts handle a multitude of chores.

Here's the low-down on low daily operating costs.

We spared no expense to help keep 244K and 324K operating costs low. From transverse-mounted diesel engines that provide convenient ground-level service access, to easy-to-change spin-on filters, these versatile loaders will require less time and attention, maximizing your uptime. Extended service intervals, environmentally friendly drains, sight gauges — the list of K-Series features that help minimize maintenance goes on and on. And so will the daily operating cost savings you'll enjoy.

Fuel-efficient EPA Final Tier 4 (FT4) emission-certified diesels run 500 hours between oil changes. Hydraulic valve lifters and serpentine belts require little maintenance.

Remote lube bank puts rear axle zerks within easy reach. Convenient maintenance chart helps ensure that nothing gets overlooked.

Locking fuel cap and electrical disconnect switch help prevent theft or vandalism.

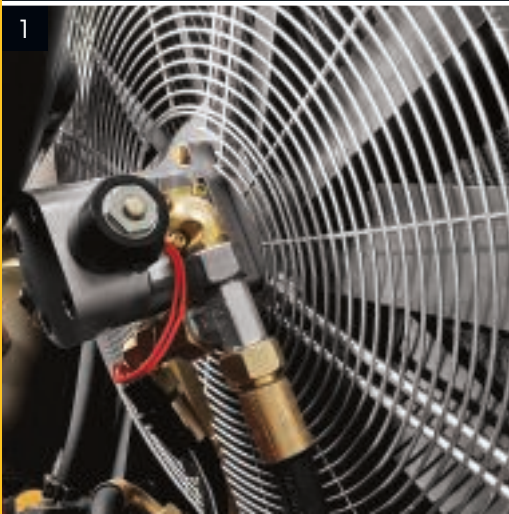
Easy-lift hood and transverse-mounted engine provide convenient ground-level access to daily checkpoints.

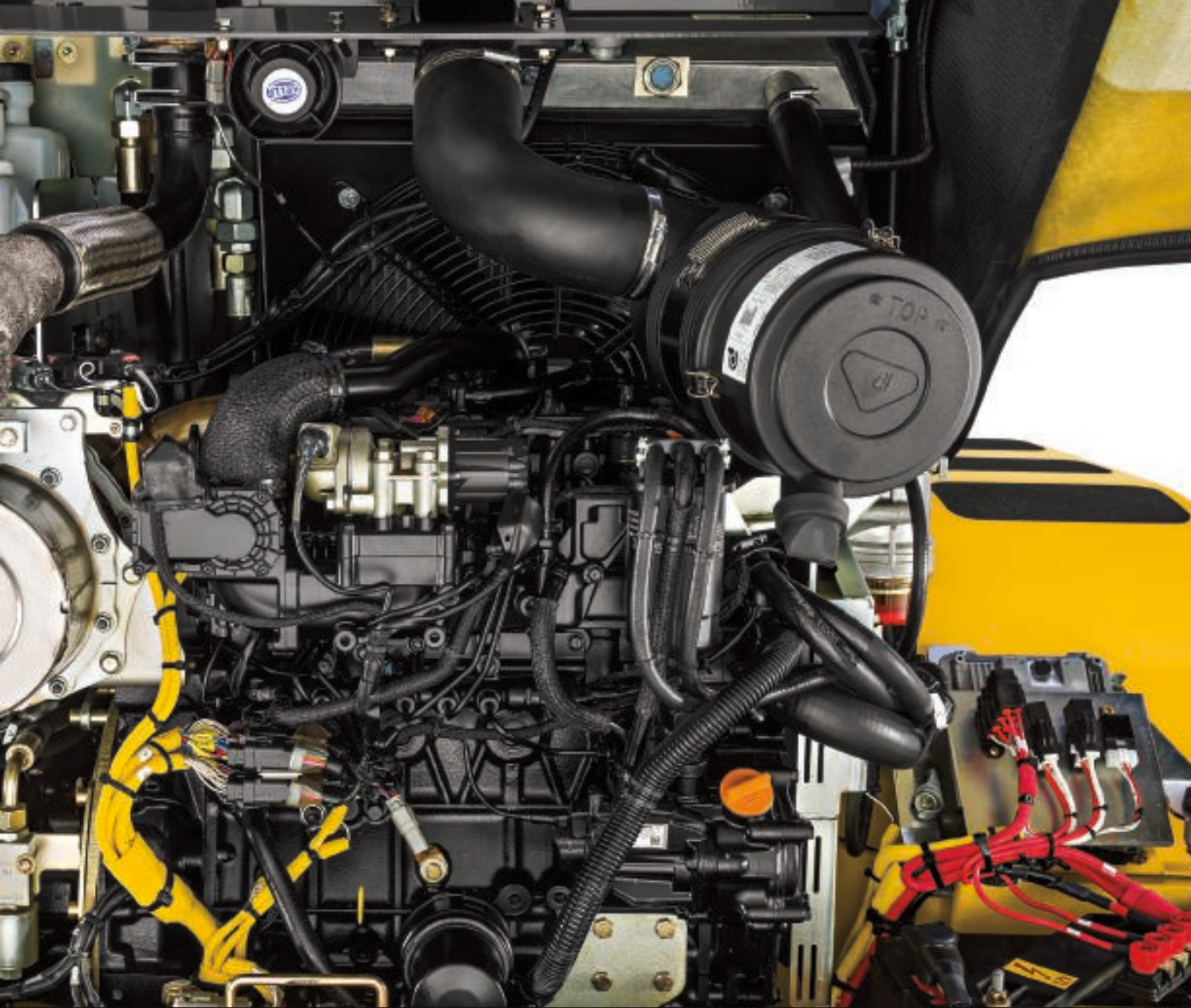


1. Hydraulically driven fan runs only as needed for efficient cooling, reduced noise, and lower fuel consumption.

2. Easy-access fuse panel accommodates quick checks and changes.

3. Electronic control unit lets service technicians easily retrieve vital operating information and helps diagnose problems more quickly.

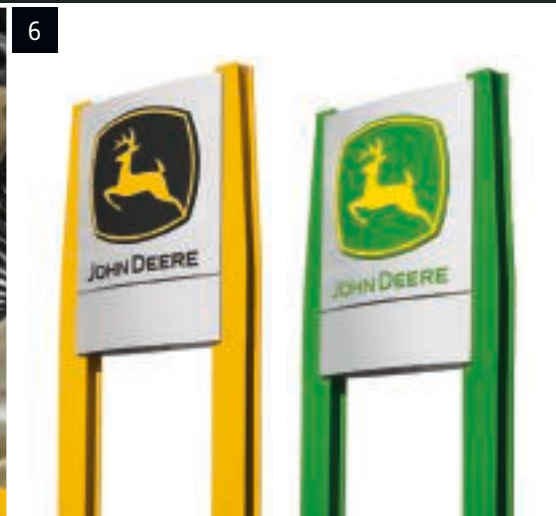




4. Hydraulic fluid sight gauge and see-through coolant reservoir let you check fluid levels at a glance.

5. Easy-access spin-on filters and environmental drains make fluid changes quick and clean.

6. Nobody backs you better than the 1,200-plus John Deere CWP dealers throughout North America.

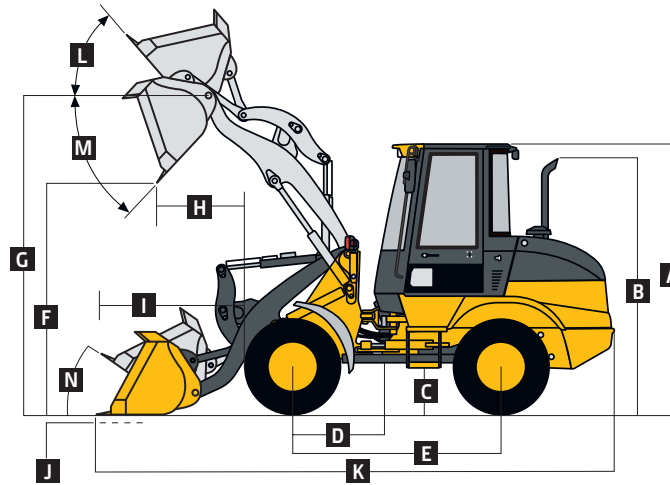


244K

Engine	244K
Manufacturer and Model	Yanmar 4TNV98C
Non-Road Emission Standard	EPA Final Tier 4
Cylinders	4
Valves per Cylinder	4
Displacement	3.3 L (203 cu. in.)
Net Peak Power at 2,400 rpm (SAE J1349 / ISO 9249)	48 kW (64 hp)
Gross Rated Power at 2,400 rpm (ISO 14396)	50 kW (67 hp)
Peak Torque at 1,560 rpm	235 Nm (173 lb.-ft.)
Engine Bore and Stroke	98 x 110 mm (3.89 x 4.33 in.)
Lubrication	Pressure system with full-flow spin-on filter
Aspiration	Naturally aspirated
Air Cleaner	Dual safety element dry type
Cooling	
Fan	Hydraulically driven, proportionally controlled
Engine Coolant Rating	-37 deg. C (-34 deg. F)
Engine Radiator	10 fins per in., water to air
Hydraulic Cooler	10 fins per in., oil to air
Powertrain	
Type	Hydrostatic (HST) with infinitely variable speed control over full range of operating speeds; 2 speed ranges; joystick-mounted F-N-R; acceleration pedal; HST inching pedal, which allows infinitely reduced travel speeds while maintaining full engine rpm and hydraulic flow
2 Travel Speeds in Forward and Reverse (equipped with 365/70R18 tires)	
Gear 1	6.92 km/h (4.3 mph)
Gear 2	29.93 km/h (18.6 mph)
Axles	Rear center-pivot axle with 10-deg. rear axle oscillation and 10-deg. frame oscillation
Rear Axle Oscillation Versus Front Axle	20 deg. total, stop to stop
Differentials	Manual (push button) 100% locking front, conventional rear
Maximum Rise and Fall, Single Wheel	254 mm (10 in.)
Steering	Hydraulic power steering (SAE J1511); 30-deg. articulation left and right with mechanical-actuated rear-wheel-steer steering; 26-deg. rear-wheel steering tied mechanically to articulation; equivalent of 97-deg. conventional steering system articulation
Steering Wheel Turns, Stop to Stop	4¼ (2 left / 2¼ right)
Articulation Angle	60-deg. arc (30 deg. each direction)
Final Drive	Heavy-duty outboard planetary
Brakes (SAE J1473 / ISO 3450)	
Service Brakes	Hydraulically actuated, self-adjusting internal wet-disc brake and driveline drum brake
Parking Brake	Automatically spring-applied, hydraulically released, internal wet disc
Hydraulics	
Main Pump (loader and steering)	Fixed-displacement gear pump; open-center system
Standard	67 L/m (17 gpm)
Total with High-Flow Option	109 L/m (28 gpm)
Maximum Pressure at Couplings	23 000 kPa (3,335 psi)
System Relief Pressure	
Loader	23 000 kPa (3,335 psi)
Steering	18 000 kPa (2,611 psi)
Hydraulic Cycle Times	
Raise	4.2 sec.
Dump	1.5 sec.
Lower	3.0 sec.
Total	8.7 sec.



Hydraulics (continued)		244K	
Maximum Lift Capacity	<i>With 0.8-m³ (1.0 cu. yd.) stockpiling/general-purpose bucket with bolt-on cutting edge</i>		
Lift at Ground Level	4491 kg (9,892 lb.)		
Lift at Maximum Height	2909 kg (6,407 lb.)		
Turning Radius	Measured to Centerline of Outside Tire		
	3.51 m (11 ft. 6 in.)		
Controls	Pilot-operated, 3-function valve with single-lever control for boom and bucket, and auxiliary level for standard pin disconnect and auxiliary hydraulics, with control-lever lockout feature; optional additional 4-function valve with push-button control		
Cylinders			
Type	Heat-treated, chrome-plated, polished cylinder rods, hardened steel (replaceable bushings) pivot pins		
	<i>Bore</i>	<i>Rod Diameter</i>	<i>Stroke</i>
Boom	80 mm (3.2 in.)	40 mm (1.6 in.)	510 mm (20.1 in.)
Bucket	80 mm (3.2 in.)	40 mm (1.6 in.)	450 mm (17.7 in.)
Electrical			
Type	Electrical load center with blade-type multi-fused circuits		
Voltage	12 volt		
Number of Batteries	1		
Battery Capacity	925 CCA		
Alternator Rating	80 amp		
Lights (SAE 99)	Driving/front working lights (2), turn signals, flashers, and stop- and taillights		
Tires/Wheels			
Tires on Single-Piece Rims	<i>Tread Width</i>	<i>Width Over Tires</i>	<i>Change In Vertical Height</i>
365/70R18 (standard)	1485 mm (58.5 in.)	1890 mm (74.0 in.)	0 mm (0 in.)
400/70R20 (optional)	1525 mm (60.0 in.)	1930 mm (76.0 in.)	43 mm (1.7 in.)
405/70R18 (optional)	1525 mm (60.0 in.)	1930 mm (76.0 in.)	22 mm (1.0 in.)
Serviceability			
Refill Capacities			
Cooling System (engine and radiator)	11 L (11.6 qt.)		
Differential and Planetary Axle			
Front	4 L (4.3 qt.)		
Rear	4 L (4.3 qt.)		
Engine Oil with Filter	10 L (10.8 qt.)		
Fuel Tank	80 L (21.1 gal.)		
Hydraulic/Hydrostatic (HST) Reservoir with Filter	55 L (14.5 gal.)		
HST Motor Gearbox	0.7 L (0.8 qt.)		
Front/Rear Axle Planetary Hubs (each)	0.9 L (1.0 qt.)		
Operating Weights			
With standard equipment, 365/70R18 tires, standard counterweight, cab, 79-kg (175 lb.) operator, and full fuel tank			
With Quick-Coupler and 0.8-m ³ (1.0 cu. yd.) Stockpiling/ General-Purpose Bucket with Bolt-On Cutting Edge	5470 kg (12,060 lb.)		
With Quick-Coupler and 1.1-m ³ (1.4 cu. yd.) Stockpiling/ General-Purpose Bucket with Bolt-On Cutting Edge	5590 kg (12,325 lb.)		
With Quick-Coupler and Fork	5400 kg (11,906 lb.)		
Optional Components			
Bucket, Stockpiling/General Purpose, with Bolt-On Cutting Edge			
0.8 m ³ (1.0 cu. yd.)	334 kg (736 lb.)		
1.1 m ³ (1.4 cu. yd.)	429 kg (946 lb.)		



Dimensions with Quick-Coupler and Bucket

0.8-m³ (1.0 cu. yd.) stockpiling/general purpose with bolt-on cutting edge

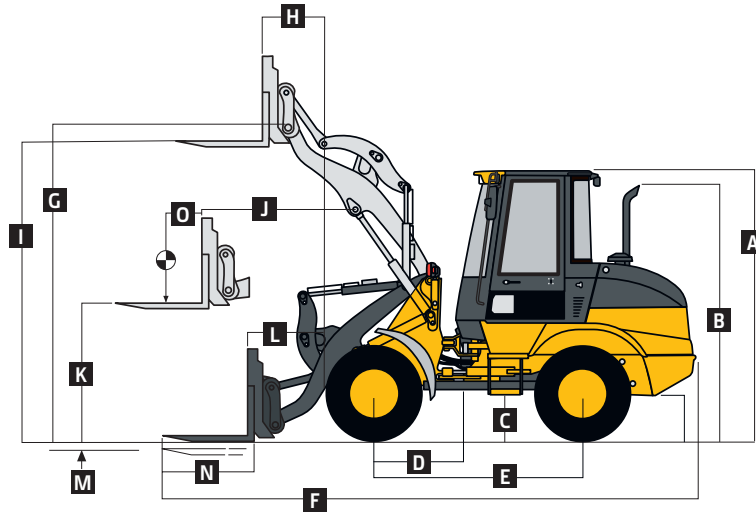
1.1-m³ (1.4 cu. yd.) stockpiling/general purpose with bolt-on cutting edge

A	Height to Top of Cab	2.72 m (8 ft. 11 in.)	2.72 m (8 ft. 11 in.)
B	Height to Top of Exhaust	2.59 m (8 ft. 6 in.)	2.59 m (8 ft. 6 in.)
C	Ground Clearance	294.64 mm (11.6 in.)	294.64 mm (11.6 in.)
D	Length from Centerline to Front Axle	749.30 mm (29.5 in.)	749.30 mm (29.5 in.)
E	Wheelbase	2.15 m (7 ft. 1 in.)	2.15 m (7 ft. 1 in.)
F	Dump Clearance, 42-deg. Full Height	2.55 m (8 ft. 4 in.)	2.51 m (8 ft. 3 in.)
G	Height to Hinge Pin, Fully Raised	3.20 m (10 ft. 6 in.)	3.20 m (10 ft. 6 in.)
H	Reach, 42-deg. Dump, Full Height	817.88 mm (32.2 in.)	863.60 mm (34 in.)
I	Reach, 42-deg. Dump, 2.13-m (7 ft.) Clearance	1.17 m (3 ft. 10 in.)	1.19 m (3 ft. 11 in.)
J	Maximum Digging Depth	78.74 mm (3.1 in.)	78.74 mm (3.1 in.)
K	Overall Length, Bucket on Ground	5.28 m (17 ft. 4 in.)	5.23 m (17 ft. 2 in.)
L	Maximum Rollback at Full Height	52 deg.	52 deg.
M	Bucket Dump at Full Height	42 deg.	42 deg.
N	Maximum Rollback at Ground Level	39 deg.	39 deg.

Specifications with Quick-Coupler and Bucket

	Capacity, Heaped (SAE)	0.8 m ³ (1.0 cu. yd.)	1.1 m ³ (1.4 cu. yd.)
	Capacity, Struck (SAE)	0.66 m ³ (0.86 cu. yd.)	0.90 m ³ (1.18 cu. yd.)
	Bucket Width	1.90 m (6 ft. 3 in.)	2.20 m (7 ft. 3 in.)
	Breakout Force (SAE J732C)	4895 kg (10,792 lb.)	4410 kg (9,722 lb.)
	Tipping Load, Straight	4065 kg (8,962 lb.)	4042 kg (8,912 lb.)
	Tipping Load, Full Turn (SAE)	3712 kg (8,183 lb.)	3690 kg (8,137 lb.)
	Rated Operating Load, 50% of Full-Turn Tipping Load (conforms to ISO 14397-1)*	1856 kg (4,092 lb.)	1845 kg (4,069 lb.)
	Loader Clearance Circle, Bucket Carry Position	7.38 m (24 ft. 3 in.)	7.57 m (24 ft. 10 in.)

*Rated operating capacity based on Deere attachments only.



Dimensions with Quick-Coupler and Fork

1.20-m (47.2 in.) tine length

A	Height to Top of Cab	2.72 m (8 ft. 11 in.)
B	Height to Top of Exhaust	2.59 m (8 ft. 6 in.)
C	Ground Clearance	294.64 mm (11.6 in.)
D	Length from Centerline to Front Axle	749.30 mm (29.5 in.)
E	Wheelbase	2.15 m (7 ft. 1 in.)
F	Overall Length, Forks on Ground	5.79 m (19 ft. 0 in.)
G	Height to Hinge Pin, Fully Raised	3.20 m (10 ft. 6 in.)
H	Reach, Fully Raised	551.18 mm (21.7 in.)
I	Fork Height, Fully Raised	3.04 m (10 ft. 0 in.)
J	Maximum Reach, Fork Level	1.26 m (4 ft. 2 in.)
K	Fork Height, Maximum Reach	1.45 m (4 ft. 9 in.)
L	Reach, Ground Level	741.68 mm (29 in.)
M	Depth Below Ground	50.80 mm (2 in.)
N	Tine Length	1.20 m (47.2 in.)
O	Load Position, 50% Tine Length	600 mm (23.6 in.)

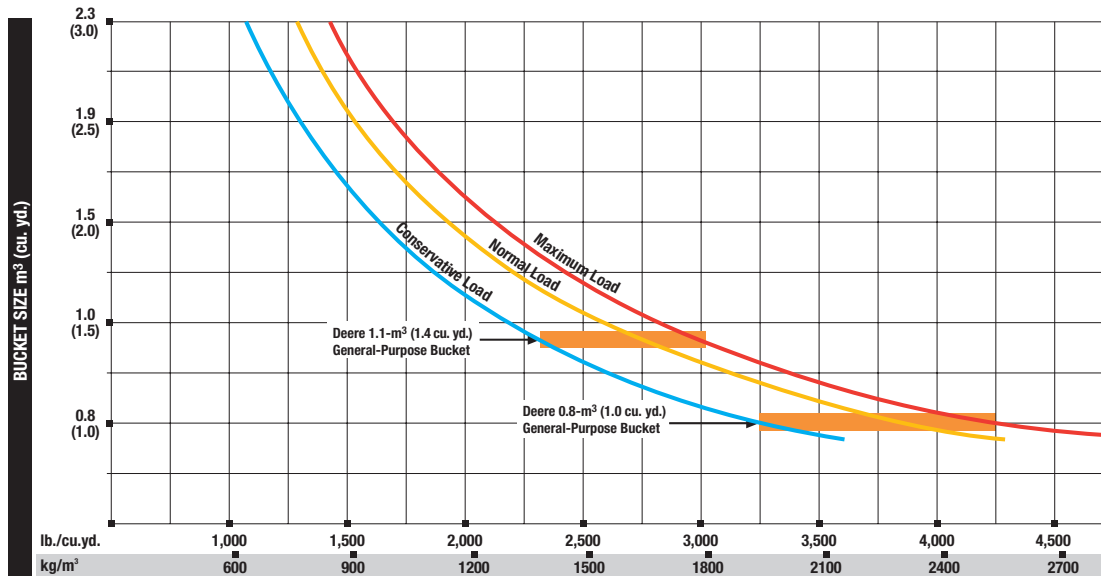
Specifications with Fork

As measured with fork level, centered on tine

Tipping Load, Straight	3145 kg (6,933 lb.)
Tipping Load, Full Turn	2652 kg (5,846 lb.)
Rated Operating Load, 50% Full-Turn Tipping Load (conforms to SAE J1197 / ISO 14397-1)*	1326 kg (2,923 lb.)
Rated Operating Load, Rough Terrain, 60% Full-Turn Tipping Load (conforms to EN474-3)*	1660 kg (3,660 lb.)
Rated Operating Load, Firm and Level Ground, 80% Full-Turn Tipping Load (conforms to EN474-3)*	2212 kg (4,786 lb.)

*Rated operating capacity based on Deere attachments only.

Bucket Selection Guide*



LOOSE MATERIALS	kg/m³	lb./cu. yd.
Chips, pulpwood	288	486
Cinders (coal, ashes, clinkers)	673	1,134
Clay and gravel, dry	1602	2,700
Clay, compact, solid	1746	2,943
Clay, dry in lump loose	1009	1,701
Clay, excavated in water	1282	2,160
Coal, anthracite, broken, loose	865	1,458
Coal, bituminous, moderately wet	801	1,350
Earth, common loam, dry	1218	2,052
Earth, mud, packed	1843	3,105
Granite, broken	1538	2,592
Gypsum	2275	3,834
Limestone, coarse, sized	1570	2,646
Limestone, mixed sizes	1682	2,835
Limestone, pulverized or crushed	1362	2,295
Sand, damp	2083	3,510
Sand, dry	1762	2,970
Sand, voids, full of water	2083	3,510
Sandstone, quarried	1314	2,214
Shale, broken crushed	1362	2,295
Slag, furnace granulated	1955	3,294
Stone or gravel, 37.5 to 87.5-mm (1.5 to 3.5") size	1442	2,430
Stone or gravel, 18.75-mm (3/4") size	1602	2,700

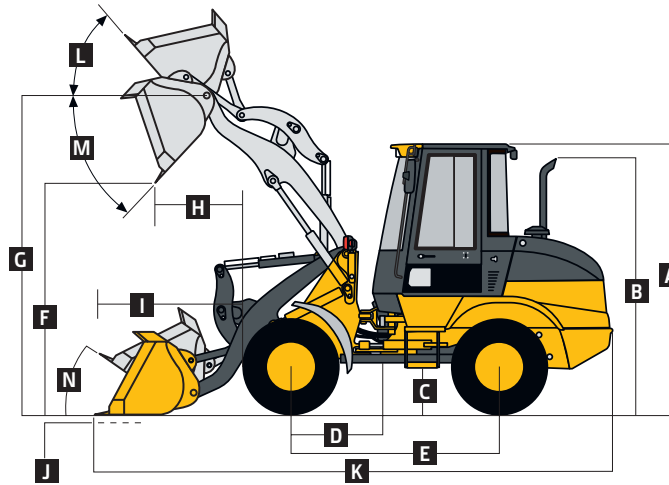
* This guide, representing bucket sizes not necessarily manufactured by Deere, will help you in selecting proper bucket size for material density, loader configuration, and operating conditions. Optimum bucket size is determined after adding or subtracting all tipping load changes due to optional equipment. The "conservative load" line on this guide is recommended when operating in conditions such as soft ground and uneven surfaces. The "maximum load" condition on this guide is sometimes utilized when operating on firm ground and level surfaces.

324K

Engine		324K
Manufacturer and Model		Yanmar 4TNV98CT
Non-Road Emission Standard		EPA Final Tier 4
Cylinders		4
Valves per Cylinder		4
Displacement		3.3 L (203 cu. in.)
Net Peak Power at 2,400 rpm (SAE J1349 / ISO 9249)		52 kW (70 hp)
Gross Rated Power at 2,400 rpm (ISO 14396)		54 kW (72 hp)
Peak Torque at 1,560 rpm		279 Nm (206 lb.-ft.)
Engine Bore and Stroke		98 x 110 mm (3.89 x 4.33 in.)
Lubrication		Pressure system with full-flow spin-on filter
Aspiration		Turbocharged
Air Cleaner		Dual safety element dry type
Cooling		
Fan		Hydraulically driven, proportionally controlled
Engine Coolant Rating		-37 deg. C (-34 deg. F)
Engine Radiator		10 fins per in., water to air
Hydraulic Cooler		10 fins per in., oil to air
Powertrain		
Type		Hydrostatic (HST) with infinitely variable speed control over full range of operating speeds; 2 speed ranges; joystick-mounted F-N-R; acceleration pedal; HST inching pedal, which allows infinitely reduced travel speeds while maintaining full engine rpm and hydraulic flow
2 Travel Speeds in Forward and Reverse (equipped with 405/70R20 tires)		
Gear 1		6.9 km/h (4.3 mph)
Gear 2		28.0 km/h (17.4 mph)
Axles		
Rear Axle Oscillation Versus Front Axle		Rear center-pivot axle with 10-deg. rear axle oscillation and 10-deg. frame oscillation
Differentials		
Maximum Rise and Fall, Single Wheel		290 mm (11 in.)
Steering		
		Hydraulic power steering (SAE J1511); 30-deg. articulation left and right with mechanical-actuated rear-wheel-steer steering; 26-deg. rear-wheel steering tied mechanically to articulation; equivalent of 97-deg. conventional steering system articulation
Steering Wheel Turns, Stop to Stop		4¼ (2 left / 2¼ right)
Articulation Angle		60-deg. arc (30 deg. each direction)
Final Drive		Heavy-duty outboard planetary
Brakes (SAE J1473 / ISO 3450)		
Service Brakes		Hydraulically actuated, self-adjusting internal wet-disc brake and driveline drum brake
Parking Brake		Automatically spring-applied, hydraulically released, internal wet disc
Hydraulics		
Main Pump (loader and steering)		Fixed-displacement gear pump; open-center system
Standard		93 L/m (24 gpm)
Total with High-Flow Option		132 L/m (34 gpm)
Maximum Pressure at Couplings		21 000 kPa (3,045 psi)
System Relief Pressure		
Loader		18 960 kPa (2,750 psi)
Steering		18 000 kPa (2,611 psi)
Hydraulic Cycle Times		
Raise		5.5 sec.
Dump		1.9 sec.
Lower		4.2 sec.
Total		11.6 sec.



Hydraulics (continued)		324K	
Maximum Lift Capacity	With 1.1-m ³ (1.4 cu. yd.) stockpiling/general-purpose bucket with bolt-on cutting edge		
Lift at Ground Level	5510 kg (12,136 lb.)		
Lift at Maximum Height	3572 kg (7,868 lb.)		
Turning Radius			
Measured to Centerline of Outside Tire	3.78 m (12 ft. 5 in.)		
Controls			
Pilot-operated, 3-function valve with single-lever control for boom and bucket, and auxiliary level for standard pin disconnect and auxiliary hydraulics, with control-lever lockout feature; optional additional 4-function valve with push-button control			
Cylinders			
Type	Heat-treated, chrome-plated, polished cylinder rods, hardened steel (replaceable bushings) pivot pins		
	<i>Bore</i>	<i>Rod Diameter</i>	<i>Stroke</i>
Boom	100 mm (3.9 in.)	50 mm (2.0 in.)	510 mm (20.0 in.)
Bucket	100 mm (3.9 in.)	50 mm (2.0 in.)	450 mm (17.7 in.)
Electrical			
Type	Electrical load center with blade-type multi-fused circuits		
Voltage	12 volt		
Number of Batteries	1		
Battery Capacity	925 CCA		
Alternator Rating	80 amp		
Lights (SAE 99)	Driving/front working lights (2), turn signals, flashers, and stop- and taillights		
Tires/Wheels			
Tires on Single-Piece Rims	<i>Tread Width</i>	<i>Width Over Tires</i>	<i>Change In Vertical Height</i>
405/70R20 (standard)	1745 mm (69 in.)	2160 mm (85 in.)	0 mm (0 in.)
405/70R18 (optional)	1660 mm (65 in.)	2060 mm (81 in.)	-25 mm (-1 in.)
400/70R20 (optional)	1645 mm (64 in.)	2060 mm (81 in.)	-20 mm (-0.8 in.)
Serviceability			
Refill Capacities			
Cooling System (engine and radiator)	12 L (12.7 qt.)		
Differential and Planetary Axle			
Front	7.3 L (7.7 qt.)		
Rear	6.7 L (7.1 qt.)		
Engine Oil with Filter	10 L (10.8 qt.)		
Fuel Tank	81 L (21.5 gal.)		
Hydraulic/Hydrostatic (HST) Reservoir with Filter	80 L (21.1 gal.)		
HST Motor Gearbox	0.8 L (0.8 qt.)		
Front/Rear Axle Planetary Hubs (each)	0.9 L (0.9 qt.)		
Operating Weights			
With standard equipment, 405/70R20 tires, standard counterweight, cab, 79-kg (175 lb.) operator, and full fuel tank			
With Quick-Coupler and 1.1-m ³ (1.4 cu. yd.) Stockpiling/General-Purpose Bucket with Bolt-On Cutting Edge	6390 kg (14,087 lb.)		
With Quick-Coupler and 1.6-m ³ (2.0 cu. yd.) Light-Material Bucket with Bolt-On Cutting Edge	6316 kg (13,925 lb.)		
With Quick-Coupler and Fork	6233 kg (13,741 lb.)		
Optional Components			
Bucket, 1.1-m ³ (1.4 cu. yd.), Stockpiling/General Purpose with Bolt-On Cutting Edge	429 kg (946 lb.)		
Bucket, 1.6-m ³ (2.0 cu. yd.), Light Material with Bolt-On Cutting Edge	512 kg (1,129 lb.)		



Dimensions with Quick-Coupler and Bucket

1.1-m³ (1.4 cu. yd.) stockpiling/general purpose with bolt-on cutting edge

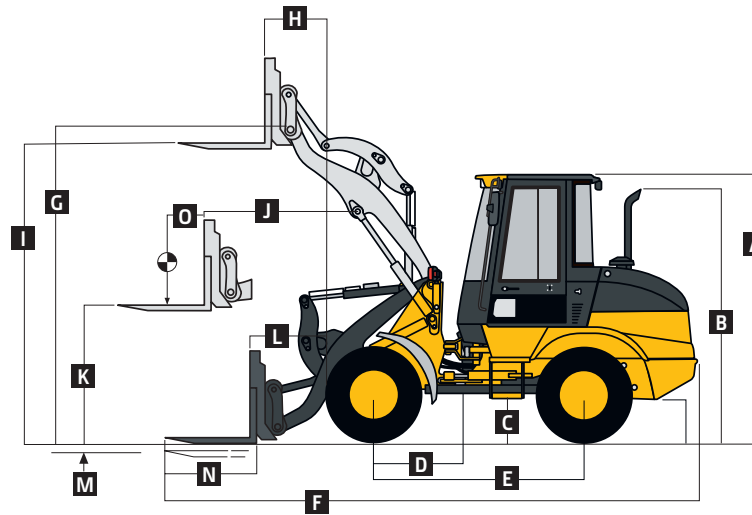
1.6-m³ (2.0 cu. yd.) light material with bolt-on cutting edge

A	Height to Top of Cab	2.79 m (9 ft. 2 in.)	2.79 m (9 ft. 2 in.)
B	Height to Top of Exhaust	2.67 m (8 ft. 9 in.)	2.67 m (8 ft. 9 in.)
C	Ground Clearance	386 mm (15.2 in.)	386 mm (15.2 in.)
D	Length from Centerline to Front Axle	749 mm (29.5 in.)	749 mm (29.5 in.)
E	Wheelbase	2.30 m (7 ft. 7 in.)	2.30 m (7 ft. 7 in.)
F	Dump Clearance, 42-deg. Full Height	2.67 m (8 ft. 9 in.)	2.55 m (8 ft. 4 in.)
G	Height to Hinge Pin, Fully Raised	3.35 m (11 ft. 0 in.)	3.35 m (11 ft. 0 in.)
H	Reach, 42-deg. Dump, Full Height	884 mm (34.8 in.)	937 mm (3 ft. 1 in.)
I	Reach, 42-deg. Dump, 2.13-m (7 ft.) Clearance	1.30 m (4 ft. 3 in.)	1.30 m (4 ft. 3 in.)
J	Maximum Digging Depth	69 mm (2.7 in.)	69 mm (2.7 in.)
K	Overall Length, Bucket on Ground	5.76 m (18 ft. 11 in.)	5.74 m (18 ft. 10 in.)
L	Maximum Rollback at Full Height	56 deg.	56 deg.
M	Bucket Dump at Full Height	42 deg.	42 deg.
N	Maximum Rollback at Ground Level	40 deg.	40 deg.

Specifications with Quick-Coupler and Bucket

	Capacity, Heaped (SAE)	1.1 m ³ (1.4 cu. yd.)	1.6 m ³ (2.0 cu. yd.)
	Capacity, Struck (SAE)	0.9 m ³ (1.2 cu. yd.)	1.4 m ³ (1.8 cu. yd.)
	Bucket Width	2.20 m (7 ft. 3 in.)	2.40 m (7 ft. 10 in.)
	Breakout Force (SAE J732C)	5608 kg (12,364 lb.)	4938 kg (10,887 lb.)
	Tipping Load, Straight	4850 kg (10,692 lb.)	4746 kg (10,463 lb.)
	Tipping Load, Full Turn (SAE)	4430 kg (9,766 lb.)	4317 kg (9,517 lb.)
	Rated Operating Load, 50% of Full-Turn Tipping Load (conforms to ISO 14397-1)*	2215 kg (4,883 lb.)	2159 kg (4,759 lb.)
	Loader Clearance Circle, Bucket Carry Position	8.30 m (27 ft. 3 in.)	8.27 m (27 ft. 1 in.)

*Rated operating capacity based on Deere attachments only.



Dimensions with Quick-Coupler and Fork *1.20-m (47.2 in.) tine length*

A	Height to Top of Cab	2.79 m (9 ft. 2 in.)
B	Height to Top of Exhaust	2.67 m (8 ft. 9 in.)
C	Ground Clearance	386 mm (15.2 in.)
D	Length from Centerline to Front Axle	749 mm (29.5 in.)
E	Wheelbase	2.30 m (7 ft. 7 in.)
F	Overall Length, Forks on Ground	6.14 m (20 ft. 2 in.)
G	Height to Hinge Pin, Fully Raised	3.35 m (11 ft. 0 in.)
H	Reach, Fully Raised	569 mm (22.4 in.)
I	Fork Height, Fully Raised	3.19 m (10 ft. 6 in.)
J	Maximum Reach, Fork Level	1.52 m (5 ft. 0 in.)
K	Fork Height, Maximum Reach	1.36 m (4 ft. 6 in.)
L	Reach, Ground Level	749 mm (29.5 in.)
M	Depth Below Ground	36 mm (1.4 in.)
N	Tine Length	1.20 m (47.2 in.)
O	Load Position, 50% Tine Length	600 mm (23.6 in.)

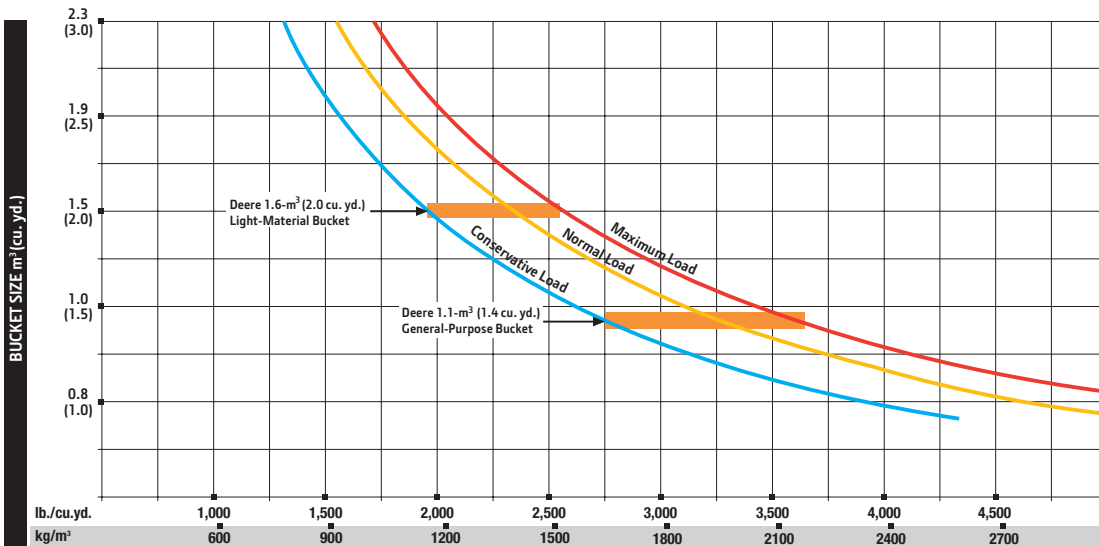
Specifications with Fork *As measured with fork level, centered on tine*

	Tipping Load, Straight	3573 kg (7,877 lb.)
	Tipping Load, Full Turn	3250 kg (7,165 lb.)
	Rated Operating Load, ¹ 50% Full-Turn Tipping Load (conforms to SAE J1197 / ISO 14397-1)*	1625 kg (3,582 lb.)
	Rated Operating Load, ¹ Rough Terrain, 60% Full-Turn Tipping Load (conforms to EN474-3)*	2040 kg (4,497 lb.)
	Rated Operating Load, ¹ Firm and Level Ground, 80% Full-Turn Tipping Load (conforms to EN474-3)*	2500 kg (5,511 lb.)

*Rated operating capacity based on Deere attachments only.

¹Payload on forks is limited by tilt cylinder — 2,500-kg (5,511 lb.) maximum load capacity for the fork carrier.

Bucket Selection Guide*



LOOSE MATERIALS	kg/m³	lb./cu. yd.
Chips, pulpwood	288	486
Cinders (coal, ashes, clinkers)	673	1,134
Clay and gravel, dry	1602	2,700
Clay, compact, solid	1746	2,943
Clay, dry in lump loose	1009	1,701
Clay, excavated in water	1282	2,160
Coal, anthracite, broken, loose	865	1,458
Coal, bituminous, moderately wet	801	1,350
Earth, common loam, dry	1218	2,052
Earth, mud, packed	1843	3,105
Granite, broken	1538	2,592
Gypsum	2275	3,834
Limestone, coarse, sized	1570	2,646
Limestone, mixed sizes	1682	2,835
Limestone, pulverized or crushed	1362	2,295
Sand, damp	2083	3,510
Sand, dry	1762	2,970
Sand, voids, full of water	2083	3,510
Sandstone, quarried	1314	2,214
Shale, broken crushed	1362	2,295
Slag, furnace granulated	1955	3,294
Stone or gravel, 37.5 to 87.5-mm (1.5 to 3.5") size	1442	2,430
Stone or gravel, 18.75-mm (3/4") size	1602	2,700

* This guide, representing bucket sizes not necessarily manufactured by Deere, will help you in selecting proper bucket size for material density, loader configuration, and operating conditions. Optimum bucket size is determined after adding or subtracting all tipping load changes due to optional equipment. The "conservative load" line on this guide is recommended when operating in conditions such as soft ground and uneven surfaces. The "maximum load" condition on this guide is sometimes utilized when operating on firm ground and level surfaces.

Additional equipment

Key: ● Standard ▲ Optional or special

*See your John Deere dealer for further information.

244K	324K	Engine
●	●	Meets EPA Final Tier 4
●	●	Antifreeze, -37 deg. C (-34 deg. F)
●	●	Coolant recovery tank
●	●	Fan safety guard
●	●	Fan, suction type, hydraulically driven, proportional speed
●	●	Exhaust aftertreatment, under hood, with curved end exhaust stack
●	●	Environmentally friendly engine oil drain
●	●	Spin-on engine oil and fuel filter
●	●	Engine oil cooler
●	●	Quick-release fuel filter and water separator
●	●	Under-hood dual-element air cleaner with restriction indicator with dust-evacuator valve
●	●	Above-hood prescreened air intake
▲	▲	Engine coolant heater, 400 watts, 110 volts
▲	▲	Special application: Trash screens, etc.*
		Electrical
●	●	Starter switch with electric fuel cutoff
●	●	12-volt system
●	●	Electrical load center with blade-type fuses
●	●	Standard 925-CCA battery
●	●	Master electrical disconnect switch
●	●	Alternator, 80 amps
●	●	Horn (conforms to SAE J994 and J1446)
●	●	Lights (conform to SAE 99): Driving / Front working (2) / Turn signals / Flashers / Stop / Taillights
●	●	Rear work lights
●	●	Reverse warning alarm (conforms to SAE J994 and J1446)
●	●	Multifunction monitor with audible and visual warnings: Low engine oil pressure / Engine coolant temperature / Hydrostatic (HST) transmission oil temperature / Parking brake indicator / Gauge and indicator: Engine coolant temperature, fuel level, speedometer, and hour meter
●	●	Indicator lights: Engine air filter / Fasten seat belt / Parking brake actuated / Forward/reverse travel / 1st- or 2nd-speed range / Turn signal and hazard lights / High-beam indicator / Battery voltage
●	●	Radio-ready cab, fused 12-volt radio electrical lead and speakers, power port
●	●	Pre-wired for roof beacon
●	●	Sealed external electrical connectors

244K	324K	Powertrain/Brakes
●	●	HST transmission: Electric shift control / Single-lever joystick F-N-R / HST oil cooler / Inching pedal / 2 speeds forward and reverse / Infinitely variable speed control
●	●	Service brakes, hydraulically actuated, self-adjusting internal wet-disc brake and driveline drum brake
●	●	Parking brake, spring applied, hydraulically released, switch operated
●	●	Axles, manual locking front and conventional rear differentials, heavy-duty outboard planetaries
		Hydraulic System
●	●	Hydraulic system oil cooler
●	●	Automatic bucket return-to-dig control
●	●	Boom-float function
●	●	Reservoir sight gauge for hydraulic/HST oil
●	●	10-micron hydraulic filter, vertical mounting
●	●	Hydraulic pilot circuit lockout
●	●	Pilot-operated 3-function valve with single joystick lever control for boom and bucket, and auxiliary lever for standard pin disconnect and auxiliary hydraulics
▲		109-L/m (28 gpm) high-flow option
	▲	132-L/m (34 gpm) high-flow option
▲	▲	4-function hydraulic valve with pilot joystick control and pilot auxiliary lever for 3rd function, and push buttons for 4th function
●	●	Quick-coupler diagnostic ports: Priority pressure / Hydraulic pump pressure / Control valve pressure / HST pressure
		Operator's Station
●	●	Cab (conforms to SAE J1040, SAE J231, ISO 3471, and ISO 3449): ROPS/FOPS / Heater/defroster / Rubber-plane isolation mounted for noise/vibration reduction / Intermittent front and rear windshield wipers and washers / Tinted safety glass / Full-width adjustable sun visor / Pre-wired for radio speakers / Deluxe cloth seat with mechanical suspension and 51-mm (2 in.) retractable seat belt / Left and right doors

244K	324K	Operator's Station (continued)
▲	▲	AM/FM/weather-band radio
▲	▲	AM/FM/weather-band radio with cassette player
▲	▲	AM/FM/weather-band radio with CD player
●	●	Air conditioning
●	●	Storage compartment
●	●	Rubber floor mat
●	●	Tilt steering column
●	●	Rearview mirrors, outside (2) and inside (1) (conform to SAE J985)
●	●	Handholds and steps, ergonomically located and slip resistant (conform to SAE J185)
▲	▲	76-mm (3 in.) retractable seat belt
		Loader Linkage
●	●	Z-bar loader linkage
●	●	Loader boom service locking bar (conforms to SAE J38)
		Buckets and Attachments
▲	▲	Full line of buckets with selection of bolt-on cutting edges
▲	▲	ISO quick-coupler
▲	▲	Quik-Tatch™ pin-on coupler
▲	▲	Pallet forks
▲	▲	Worksite Pro™ skid-steer-style coupler
▲	▲	Full line of construction utility forks, pallet forks, extendable booms with hook, and other attachments*
		Tires
▲		365/70R18 on single-piece rims
▲	▲	400/70R20 on single-piece rims
▲	▲	405/70R18 on single-piece rims
	▲	405/70R20 on single-piece rims
		Other
●	●	Fenders, front and rear
●	●	Articulation locking bar (conforms to SAE J276)
●	●	Vandal protection, includes lockable engine enclosure and fuel fill
●	●	Counterweight, full
●	●	Rear bottom guard
●	●	Drawbar, with locking pin
▲	▲	Material-weighing system*
▲	▲	Ride control
▲	▲	JDLink™ wireless communication system (available in specific countries)*

Net engine power is with standard equipment including air cleaner, exhaust system, alternator, and cooling fan, at standard conditions per SAE J1349 and DIN 70 020, using No. 2-D fuel at 35 API gravity. No derating is required up to 1500-m (5,000 ft.) altitude. Gross power is without cooling fan. Specifications and design subject to change without notice. Wherever applicable, specifications are in accordance with SAE standards. Except where otherwise noted, these specifications are based on a unit with all standard equipment, ROPS cab, full fuel tank, and 79-kg (175 lb.) operator; a 244K unit with 365/70R18 tires; and a 324K unit with 405/70R20 tires.

