

Dynapac CA702PD

Single drum vibratory rollers

Atlas Copco



Technical data



Masses

Operating mass (incl. Cab)	59,415 lbs
Module mass (front/rear)	38,100/21,300 lbs
Max. operating mass	60,100 lbs



Propulsion

Speed range	0-8
Vertical oscillation	±9°
Tire size (8 ply)	23,1x26
Theor. gradeability	45 %
Number of pads	140
Pad area	22.6 in ²



Compaction

Nominal amplitude (high/low)	0.079/0.051 in
Vibration frequency (high/low amplitude)	1,680/1,800 vpm
Centrifugal force (high/low amplitude)	74,190/57,100 lb



Engine

Manufacturer/Model	Cummins QSB6.7 T3
Type	6 cylindre Water cooled with After Cooler
Rated power, SAE J1995	220.0 hp @ 2,200 rpm
Fuel tank capacity	85 gal



Hydraulic system

Driving	Axial piston pump with variable displacement. Axial piston motors with constant displacement.
Vibration	Axial piston pump with variable displacement. Axial piston motor (2) with variable displacement.
Steering	Gear pump with constant displacement.
Service brake	Hydrostatic in forward and reverse lever.
Parking/Emergency brake	Failsafe multidisc brake in drum gear box and in rear axle.

Find us locally at www.atlascopco.com

We reserve the right to change specifications without notice. Photos and illustrations do not always show standard versions of machines. The above information is a general description only, all informations are supplied without liability.

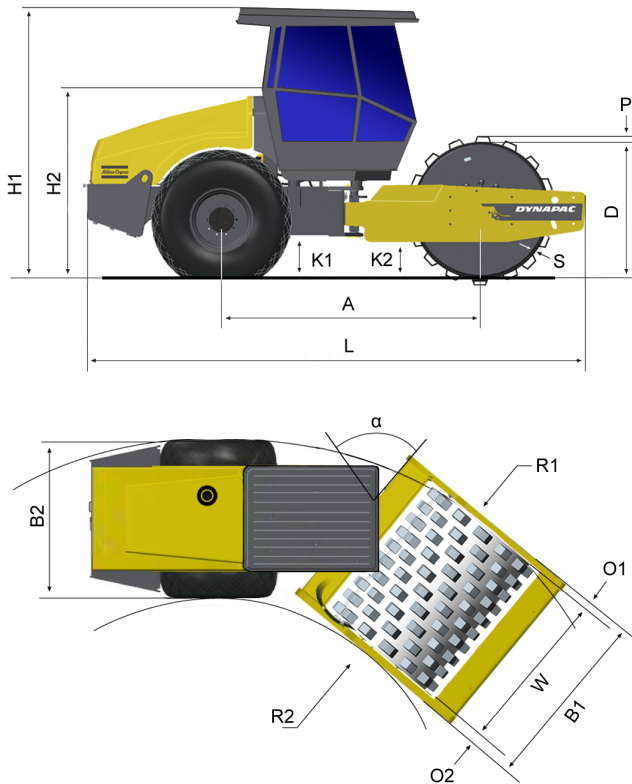
rce_ca702pd_us-20140325.112040.pdf 2014-03-25 11:20

Dynapac CA702PD

Single drum vibratory rollers

Atlas Copco

Technical data



Dimensions	
A. Wheelbase	132 in
B1. Width, front	95 in
B2. Width, rear	90 in
D. Drum diameter	66 in
H1. Height, with ROPS/cab	117 in
H2. Height, w/o ROPS/cab	87 in
K1. Ground clearance	16 in
K2. Curb clearance	19 in
L. Length	256.50 in
O1. Overhang, right	6 in
O2. Overhang, left	5 in
P. Pad height	4 in
R1. Turning radius, outside	20 ft
R2. Turning radius, inside	12 ft
S. Drum shell thickness	1.18 in
W. Drum width	84 in
α . Steering angle	$\pm 38^\circ$



Standard equipment

3" seat belt, Adjustable seat, Anti-spin, Back up alarm, Brake release, CE sign & certificate, Comfort cab with AC, Documentation (Manuals, one set), Dual amplitudes, Filler caps inside lockable hood, Fuel level gauge, Horn, Hour meter, Hydraulic checkpoints, Interlock, Lifting points, Lockable hood, Main battery switch, No-spin rear axle, Radio and CD player, Rotating beacon for cab, Rpm/freq meter, Rubber mounted operator's platform, Speedometer, Tilt steering wheel, Warning/service indicators, Vibration quick stop, Volt/Temp meter



Optional equipment

Fire extinguisher (4 kg), SMV sign, First Aid Box, Rear view mirrors for cab, Rotating beacon w/o switch, Steering valve (noise supp.), Tachograph for Cab, Speed limiter (mechanical), Compaction meter, Compaction Analyser (DCA), GPS for DCA, Prep. for DCA, Tool box, Tool set, Driving lights (RH/LH traffic), Headlight protection, Licence plate light, Hydraulic fluid (bio), Engine block heater 220V, Lockable hydr. (cover), Special colour (one/two colours, drum/cab), Vandal prot eng side covers

Find us locally at www.atlascopco.com

We reserve the right to change specifications without notice. Photos and illustrations do not always show standard versions of machines. The above information is a general description only, all informations are supplied without liability.

rce_ca702pd_us-20140325.112040.pdf 2014-03-25 11:20