

# Dynapac CA6500PD

## Single drum vibratory rollers

Atlas Copco



### Technical data



#### Masses

Operating mass (incl. ROPS)	45,423 lbs
Operating mass (incl. Cab)	45,700 lbs
Module mass (front/rear)	30,500/15,200 lbs
Max. operating mass	46,300 lbs



#### Dimensions

Drum width	84 in
------------	-------



#### Propulsion

Speed range	2-7 (mph)
Vertical oscillation	±9 °
Tire size (12 ply)	23,1 x 26 AW
Theor. gradeability	56 %
Number of pads	130
Pad height	4 in
Pad area	22.6 in <sup>2</sup>



#### Compaction

Nominal amplitude (high/low)	0.083/0.031 in
Vibration frequency (high/low amplitude)	1,740/1,800 vpm
Centrifugal force (high/low amplitude)	80,940/33,720 lb



#### Engine

Manufacturer/Model	Deutz TCD6,1L6 (T4i)
Rated power, ISO 14396	150 kW (200 hp ) @ 2,200 rpm
Fuel tank capacity	72 gal



#### Hydraulic system

Driving	Hydrostatic
Vibration	Hydrostatic
Steering	Hydrostatic
Service brake	Hydrostatic in forward and reverse lever.
Parking/Emergency brake	Failsafe multidisc brake in drum gear box and in rear axle.

Find us locally at [www.atlascopco.com](http://www.atlascopco.com)

We reserve the right to change specifications without notice. Photos and illustrations do not always show standard versions of machines. The above information is a general description only, all informations are supplied without liability.

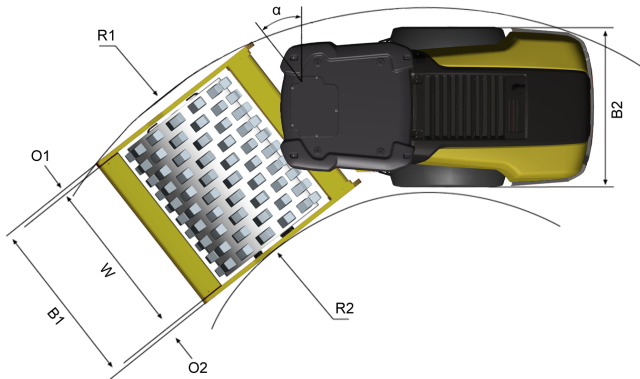
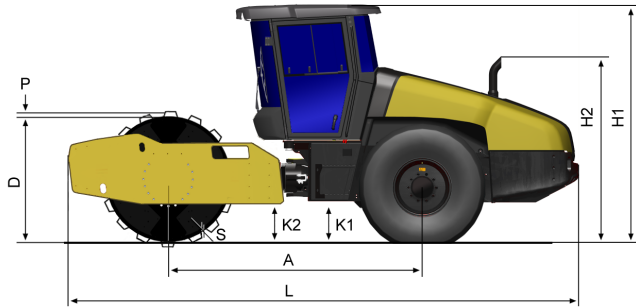
rce\_ca6500pd\_us-20140324.083918.pdf 2014-03-24 08:39

# Dynapac CA6500PD

## Single drum vibratory rollers

Atlas Copco

### Technical data



Dimensions	
A. Wheelbase	122 in
B1. Width, front	94 in
B2. Width, rear	84 in
D. Drum diameter	60 in
H1. Height, with ROPS/cab	114 in
H2. Height, w/o ROPS/cab	84 in
K1. Ground clearance	18 in
K2. Curb clearance	18 in
L. Length	246 in
O1. Overhang, right	5 in
O2. Overhang, left	5 in
P. Pad height	4 in
R1. Turning radius, outside	19 ft
R2. Turning radius, inside	11 ft
S. Drum shell thickness	1.34 in
W. Drum width	84 in
α. Steering angle	±38°



#### Standard equipment

- 24V outlet socket, operator's platform
- Automatic vibration control
- Back up alarm
- Brake release
- Cross Mounted Engine
- Combi cooler with Hydraulically driven fan
- Display: Engine temp, Fuel level, Hydr. temp, Speedometer, Tachometer, Voltage
- Dual speed drum drive motor
- Emergency stop
- Filler cap inside lockable hood
- Hydraulic checkpoints
- Parking brake
- Shock mounted platform
- Steering wheel, adjustable
- Suspension seat
- Storage Compartment
- Vandal cover
- Warning lights: Air cleaner, Brake, Clogged hyd. fluid filter, Engine oil pressure/temp, Hyd oil temp, Low charge, Low fuel
- 1m X 1m Visibility
- Zero spill oil & coolant change

Find us locally at [www.atlascopco.com](http://www.atlascopco.com)

We reserve the right to change specifications without notice. Photos and illustrations do not always show standard versions of machines. The above information is a general description only, all informations are supplied without liability.

rce\_ca6500pd\_us-20140324.083918.pdf 2014-03-24 08:39