

# Dynapac CA4600PD

## Single drum vibratory rollers



### Technical data



#### Masses

Operating mass (incl. ROPS)	29,800 lbs
Operating mass (incl. Cab)	30,200 lbs
Module mass (front/rear)	19,400/10,800 lbs
Max. operating mass	31,700 lbs



#### Dimensions

Drum width	84 in
------------	-------



#### Propulsion

Speed range	2-7 mph
Vertical oscillation	±9°
Theor. gradeability	57 %
Tire size (12 ply)	23,1 x 26 TR



#### Compaction

Nominal amplitude (high/low)	0.079/0.039 in
Vibration frequency (high/low amplitude)	1,800/1,800 vpm
Centrifugal force (high/low amplitude)	62,950/33,720 lb



#### Engine

Manufacturer/Model	Deutz TCD6,1L06 (T4i)
Type	Water cooled turbo diesel
Rated power, ISO 14396	129 kW (173 hp ) @ 2,200 rpm
Fuel tank capacity	72 gal



#### Hydraulic system

Driving	Hydrostatic
Vibration	Hydrostatic
Steering	Hydrostatic
Service brake	Hydrostatic in forward and reverse lever.
Parking/Emergency brake	Failsafe multidisc brake in drum gear box and in rear axle.

Find us locally at [www.atlascopco.com](http://www.atlascopco.com)

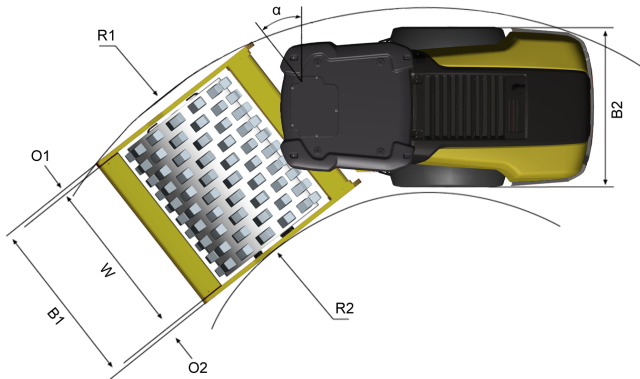
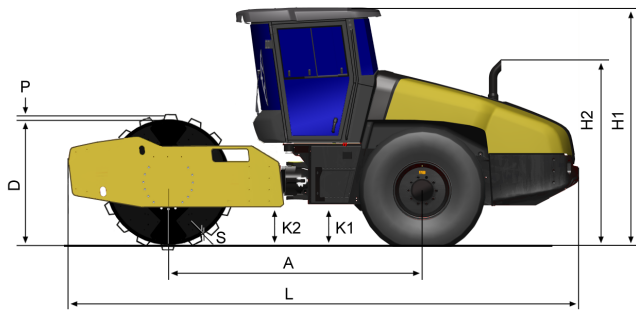
We reserve the right to change specifications without notice. Photos and illustrations do not always show standard versions of machines. The above information is a general description only, all informations are supplied without liability.

# Dynapac CA4600PD

## Single drum vibratory rollers

Atlas Copco

### Technical data



Dimensions	
A. Wheelbase	122 in
B1. Width, front	92 in
B2. Width, rear	84 in
D. Drum diameter	59 in
H1. Height, with ROPS/cab	117 in
H2. Height, w/o ROPS/cab	87 in
K1. Ground clearance	18 in
K2. Curb clearance	18 in
L. Length	236 in
O1. Overhang, right	4 in
O2. Overhang, left	4 in
R1. Turning radius, outside	18 ft
R2. Turning radius, inside	11 ft
S. Drum shell thickness	0.98 in
W. Drum width	84 in
α. Steering angle	±38°



#### Standard equipment

- 24V outlet socket, operator's platform
- Automatic vibration control
- Back up alarm
- Brake release
- Cross Mounted Engine
- Combi cooler with Hydraulically driven fan
- Display: Engine temp, Fuel level, Hydr. temp, Speedometer, Tachometer, Voltage
- Dual speed drum and axle motors
- Emergency stop
- Filler cap inside lockable hood
- Hydraulic checkpoints
- Parking brake
- Shock mounted platform
- Steering wheel, adjustable
- Suspension seat
- Storage Compartment
- Traction Control Package w/tilt indicator and speed limiter
- Vandal cover
- Warning lights: Air cleaner, Brake, Clogged hyd. fluid filter, Engine oil pressure/temp, Hyd oil temp, Low charge, Low fuel
- 1m X 1m Visibility
- Zero spill oil & coolant change

Find us locally at [www.atlascopco.com](http://www.atlascopco.com)

We reserve the right to change specifications without notice. Photos and illustrations do not always show standard versions of machines. The above information is a general description only, all informations are supplied without liability.