

Dynapac CA300D

Single drum vibratory rollers

Atlas Copco



Technical data



Masses

Max. operating mass	13,800 kg
Operating mass (incl. ROPS)	12,550 kg
Module mass (front/rear)	8,100/4,450 kg



Traction

Speed range (Dual/TC/AS)	0-5
Vertical oscillation	±9°
Tyre size (8 ply)	23,1x26
Theor. gradeability	55 %



Compaction

Static linear load	38.0 kg/cm
Nominal amplitude (high/low)	1.7/0.8 mm
Vibration frequency (high/low amplitude)	33/33 Hz
Centrifugal force (high/low amplitude)	300/146 kN



Engine

Manufacturer/Model	Cummins 4BTA 3.9C (*)
Type	Water cooled turbo Diesel with After Cooler
Fuel tank capacity	250 l
Rated power, SAE J1995	82 kW (110 hp) @ 2,200 rpm



Hydraulic system

Vibration	Axial piston pump with variable displacement. Axial piston motor with constant displacement.
Driving	Axial piston pump with variable displacement. Axial piston motor with constant displacement. Radial piston motors with constant displacement (D, PD).
Steering	Gear pump with constant displacement.
Service brake	Hydrostatic in forward and reverse lever.
Parking/ Emergency brake	Failsafe multidisc brake in rear axle.

Find us locally at www.atlascopco.com

We reserve the right to change specifications without notice. Photos and illustrations do not always show standard versions of machines. The above information is a general description only, all informations are supplied without liability.

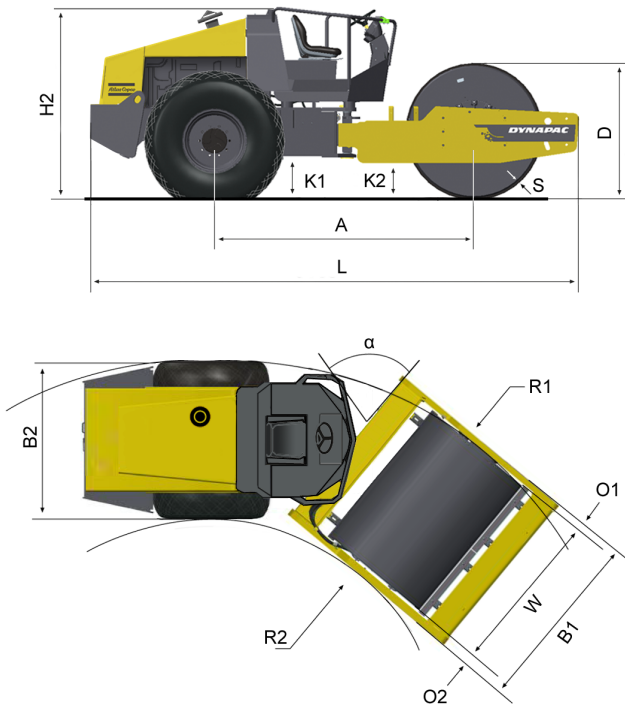
rce_ca300d_en-20131112.112237.pdf 2013-11-12 11:22

Dynapac CA300D

Single drum vibratory rollers

Atlas Copco

Technical data



Dimensions	
A. Wheelbase	2,879 mm
B1. Width, front	2,384 mm
B2. Width, rear	2,130 mm
D. Drum diameter	1,543 mm
H2. Height, w/o ROPS/cab	2,190 mm
K1. Ground clearance	453 mm
K2. Curb clearance	495 mm
L. Length	5,550 mm
O1. Overhang, right	127 mm
O2. Overhang, left	127 mm
R1. Turning radius, outside	5,400 mm
R2. Turning radius, inside	3,100 mm
S. Drum shell thickness	35 mm
W. Drum width	2,130 mm
α. Steering angle	±38°

Find us locally at www.atlascopco.com

We reserve the right to change specifications without notice. Photos and illustrations do not always show standard versions of machines. The above information is a general description only, all informations are supplied without liability.

rce_ca300d_en-20131112.112237.pdf 2013-11-12 11:22