

# Dynapac CA270D

## Single drum vibratory rollers

Atlas Copco



### Technical data



#### Masses

Max. operating mass	12,100 kg
Operating mass (incl. ROPS)	11,900 kg
Operating mass (incl. Cab)	12,050 kg
Module mass (front/rear)	7,000/4,900 kg



#### Traction

Speed range (Dual/TC/AS)	0-10 km/h
Tyre size (8 ply)	23,1 x 26
Theor. gradeability	57 %
Vertical oscillation	±9°



#### Compaction

Static linear load	33 kg/cm
Nominal amplitude (high/low)	1.7/0.8 mm
Vibration frequency (high/low amplitude)	33/33 Hz
Centrifugal force (high/low amplitude)	248/121 kN



#### Engine

Manufacturer/Model	Cummins 4BT 3.9 102C
Type	Water cooled turbo Diesel
Rated power, SAE J1995	76 kW (102 hp ) @ 2,300 rpm
Fuel tank capacity	250 l



#### Engine

Manufacturer/Model	Cummins 4BT 3.9-C
Rated power, SAE J1995	76 kW (102 hp ) @ 2,300 rpm
Type	Water cooled turbo Diesel



#### Hydraulic system

Driving	Axial piston pump with variable displacement. Axial piston motor with variable (dual speed) or constant (single speed) displacement. Radial piston motor with constant displacement.
Vibration	Axial piston pump with variable displacement. Axial piston motor with constant displacement.
Steering	Gear pump with constant displacement.
Parking/ Emergency brake	Failsafe multidisc brake in rear axle & Drum Radial piston motor
Service brake	Hydrostatic in forward and reverse lever.

Find us locally at [www.atlascopco.com](http://www.atlascopco.com)

We reserve the right to change specifications without notice. Photos and illustrations do not always show standard versions of machines.  
The above information is a general description only, all informations are supplied without liability.

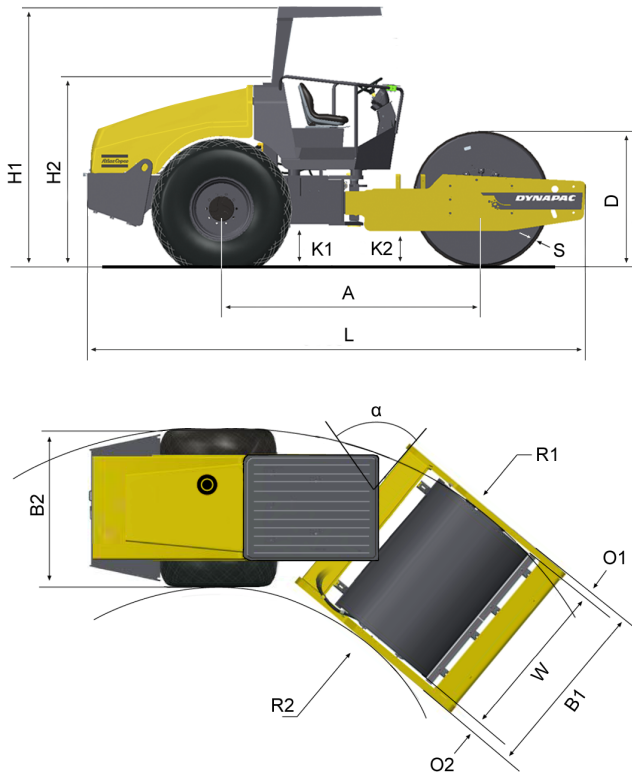
rce\_ca270d\_en-20140514.115052.pdf 2014-05-14 11:50

# Dynapac CA270D

## Single drum vibratory rollers

Atlas Copco

### Technical data



Dimensions	
A. Wheelbase	2,879 mm
B1. Width, front	2,384 mm
B2. Width, rear	2,130 mm
D. Drum diameter	1,523 mm
H1. Height, with ROPS/cab	2,952 mm
H2. Height, w/o ROPS/cab	2,190 mm
K1. Ground clearance	453 mm
K2. Curb clearance	495 mm
L. Length	5,550 mm
O1. Overhang, right	127 mm
O2. Overhang, left	127 mm
R1. Turning radius, outside	5,400 mm
R2. Turning radius, inside	3,100 mm
S. Drum shell thickness	25 mm
W. Drum width	2,130 mm
α. Steering angle	±38°

Find us locally at [www.atlascopco.com](http://www.atlascopco.com)

We reserve the right to change specifications without notice. Photos and illustrations do not always show standard versions of machines. The above information is a general description only, all informations are supplied without liability.

rce\_ca270d\_en-20140514.115052.pdf 2014-05-14 11:50