

# Dynapac CA255

## Single drum vibratory rollers

Atlas Copco



### Technical data



#### Masses

|                               |                   |
|-------------------------------|-------------------|
| Operating mass (incl. Canopy) | 10,830 kg         |
| Module mass (front/rear)      | 6,580 kg/4,250 kg |
| Max. operating mass           | 12,100 kg         |



#### Traction

|                      |           |
|----------------------|-----------|
| Speed range          | 0-11 km/h |
| Vertical oscillation | ±9°       |
| Tyre size (8 ply)    | 23.1 x 26 |
| Theor. gradeability  | 34 %      |



#### Compaction

|  |               |
|--|---------------|
| Static linear load                       | 29.6 kg/cm    |
| Nominal amplitude (high/low)             | 1.7 mm/0.8 mm |
| Vibration frequency (high/low amplitude) | 33 Hz/33 Hz   |
| Centrifugal force (high/low amplitude)   | 246 kN/119 kN |



#### Engine

|                        |   |
|------------------------|---|
| Manufacturer/Model     | Kirloskar 4R1040TA3                         |
| Type                   | Water cooled<br>Turbo charged + Intercooler |
| Rated power, SAE J1995 | 77.2 kW (105 hp) @ 2,200 rpm                |
| Fuel tank capacity     | 250 l                                       |



#### Hydraulic system

|                             |   |
|-----------------------------|---|
| Driving                     | Axial piston pump with variable displacement.<br>Axial piston motor with constant displacement. |
| Vibration                   | Axial piston pump with variable displacement.   |
| Steering                    | Gear pump with constant displacement.   |
| Service brake               | Hydrostatic in forward and reverse lever.   |
| Parking/<br>Emergency brake | Failsafe multidisc brake in rear axle.  |

Find us locally at [www.atlascopco.com](http://www.atlascopco.com)

We reserve the right to change specifications without notice. Photos and illustrations do not always show standard versions of machines. The above information is a general description only, all informations are supplied without liability.

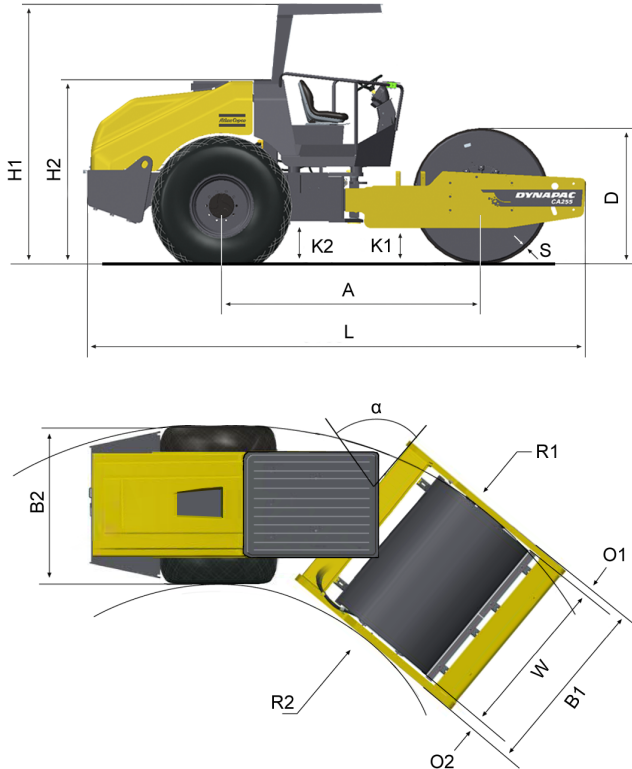
rce\_ca255\_en-20160202.124949.pdf 2016-02-02 12:49

# Dynapac CA255

## Single drum vibratory rollers

Atlas Copco

### Technical data



| Dimensions                  |          |
|-----------------------------|----------|
| A. Wheelbase                | 2,879 mm |
| B1. Width, front            | 2,384 mm |
| B2. Width, rear             | 2,130 mm |
| D. Drum diameter            | 1,523 mm |
| H1. Height, with ROPS/cab   | 2,977 mm |
| H2. Height, w/o ROPS/cab    | 2,190 mm |
| K1. Ground clearance        | 453 mm   |
| K2. Curb clearance          | 495 mm   |
| L. Length                   | 5,550 mm |
| O1. Overhang, right         | 127 mm   |
| O2. Overhang, left          | 127 mm   |
| R1. Turning radius, outside | 5,400 mm |
| R2. Turning radius, inside  | 3,100 mm |
| S. Drum shell thickness     | 25 mm    |
| W. Drum width               | 2,130 mm |
| α. Steering angle           | ±38°     |

Find us locally at [www.atlascopco.com](http://www.atlascopco.com)

We reserve the right to change specifications without notice. Photos and illustrations do not always show standard versions of machines. The above information is a general description only, all informations are supplied without liability.

rce\_ca255\_en-20160202.124949.pdf 2016-02-02 12:49