

# Dynapac CA2500D (3.3)

Single drum vibratory rollers

Atlas Copco



## Technical data



### Masses

Operating mass (incl. ROPS)	22,050 lbs
Operating mass (incl. Cab)	22,500 lbs
Module mass (front/rear)	12,350/10,150 lbs
Max. operating mass	23,000 lbs



### Dimensions

Drum width	84 in
------------	-------



### Propulsion

Speed range	0 -5 mp/h
Tire size (12 ply)	550/60-22.5
Theor. gradeability	51 %
Vertical oscillation	±9°



### Compaction

Static linear load	146 lbs/in
Nominal amplitude (high/low)	0.071 in/0.035 in
Vibration frequency (high/low amplitude)	1,800 vpm/1,800 vpm
Centrifugal force (high/low amplitude)	46,125 lb/22,500 lb



### Engine

Manufacturer/Model	Cummins QSB3.3 (T4i)
Type	Water cooled turbo Diesel
Rated power, SAE J1995	82 kW (110 hp ) @ 2,200 rpm
Fuel tank capacity	50 gal



### Hydraulic system

Driving	Hydrostatic
Vibration	Hydrostatic
Steering	Hydrostatic
Service brake	Hydrostatic in forward and reverse lever.
Parking/Emergency brake	Failsafe multidisc brake in drum gear box and in rear axle.

Find us locally at [www.atlascopco.com](http://www.atlascopco.com)

We reserve the right to change specifications without notice. Photos and illustrations do not always show standard versions of machines. The above information is a general description only, all informations are supplied without liability.

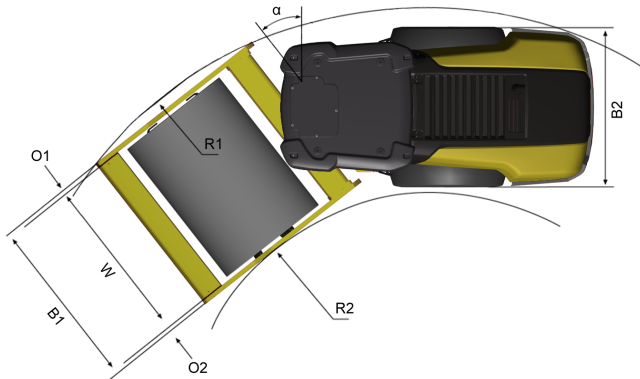
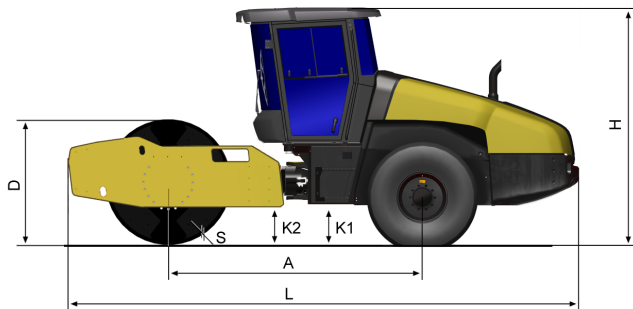
rce\_ca2500d\_33\_us-20151207.153019.pdf 2015-12-07 15:30

# Dynapac CA2500D (3.3)

Single drum vibratory rollers

Atlas Copco

## Technical data



### Dimensions

A. Wheelbase	112 in
B1. Width, front	91 in
B2. Width, rear	67 in
D. Drum diameter	59 in
H. Height, with ROPS/cab	111 in
K1. Ground clearance	13 in
K2. Curb clearance	17 in
L. Length	219 in
O1. Overhang, right	3 in
O2. Overhang, left	3 in
R1. Turning radius, outside	213 in
R2. Turning radius, inside	122 in
S. Drum shell thickness	1 in
W. Drum width	84 in
α. Steering angle	±38°



### Standard equipment

- 24V outlet socket, operator's platform
- Automatic vibration control
- Back up alarm
- Brake release
- Cross Mounted Engine
- Combi cooler with Hydraulically driven fan
- Display: Engine temp, Fuel level, Hydr. temp, Speedometer, Tachometer, Voltage
- 4-speed Traction Control
- Emergency stop
- Filler cap inside lockable hood
- Hydraulic checkpoints
- Parking brake
- Shock mounted platform
- Steering wheel, adjustable
- Suspension seat, swivelling
- Storage Compartment
- Vandal cover
- Warning lights: Air cleaner, Brake, Clogged hyd. fluid filter, Engine oil pressure/temp, Hyd oil temp, Low charge, Low fuel
- 1m X 1m Visibility
- Zero spill oil & coolant change

Find us locally at [www.atlascopco.com](http://www.atlascopco.com)

We reserve the right to change specifications without notice. Photos and illustrations do not always show standard versions of machines. The above information is a general description only, all informations are supplied without liability.

rce\_ca2500d\_33\_us-20151207.153019.pdf 2015-12-07 15:30