

Dynapac CA150PD

Single drum vibratory rollers

Atlas Copco



Technical data



Masses

Operating mass (incl. ROPS)	7,500 kg
Module mass (front/rear)	4,000/3,500 kg
Max. operating mass	8,800 kg



Compaction

Nominal amplitude (high/low)	1.7/0.9 mm
Vibration frequency (high/low amplitude)	31/43 Hz
Centrifugal force (high/low amplitude)	143/136 kN



Engine

Manufacturer/Model	Cummins QSB3.3
Type	4 cylindre Water cooled turbo diesel
Rated power, SAE J1995	60 kW (80 hp) @ 2,200 rpm
Fuel tank capacity	225 l



Traction

Speed range (Dual/TC/AS)	0-5
Tyre size (8 ply)	14,9x24
Theor. gradeability	55 %
Vertical oscillation	±9°
Number of pads	132
Pad area	84 cm ²



Hydraulic system

Driving	Axial piston pump with variable displacement Axial piston motor with constant displacement. Radial piston motor with constant displacement (D, PD).
Vibration	Axial piston pump with variable displacement. Axial piston motor (2) with variable displacement.
Steering	Gear pump with constant displacement.
Service brake	Hydrostatic in forward and reverse lever.
Parking/ Emergency brake	Failsafe multidisc brake in rear axle.

Find us locally at www.atlascopco.com

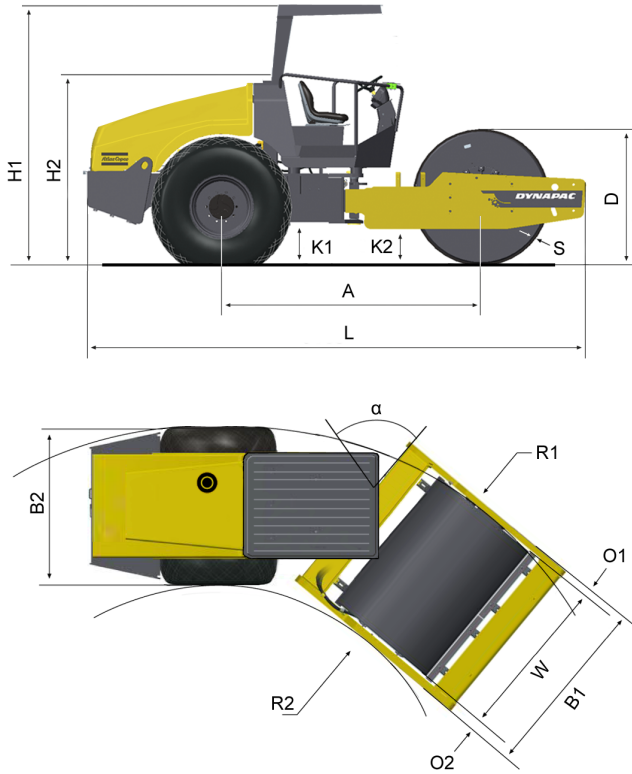
We reserve the right to change specifications without notice. Photos and illustrations do not always show standard versions of machines. The above information is a general description only, all informations are supplied without liability.

Dynapac CA150PD

Single drum vibratory rollers



Technical data



Find us locally at www.atlascopco.com

We reserve the right to change specifications without notice. Photos and illustrations do not always show standard versions of machines. The above information is a general description only, all informations are supplied without liability.