

Dynapac CA150AD

Single drum vibratory rollers

Atlas Copco



Technical data



Masses

Operating mass (incl. ROPS)	7,600 kg
Module mass (front/rear)	3,900 kg/3,700 kg
Max. operating mass	8,300 kg



Traction

Speed range (Dual/TC/AS)	0-5 km/h
Tyre size (8 ply)	13.00-24
Theor. gradeability	55 %
Vertical oscillation	±9



Compaction

Static linear load	23.3 kg/cm
Nominal amplitude (high/low)	0.8 mm/0.4 mm
Vibration frequency (high/low amplitude)	45 Hz/45 Hz
Centrifugal force (high/low amplitude)	115 kN/58 kN
Water tank	500



Engine

Manufacturer/Model	Cummins BT3.3 (*)
Type	4 cylindre Water cooled turbo diesel
Rated power, SAE J1995	60 kW (80 hp) @ 2,200 rpm
Fuel tank capacity	225 l



Hydraulic system

Driving	Axial piston pump with variable displacement. Axial piston motor with constant displacement. Axial piston motor with constant displacement.
Vibration	Axial piston pump with variable displacement. Axial piston motor (2) with variable displacement.
Steering	Gear pump with constant displacement.
Service brake	Hydrostatic in forward and reverse lever.
Parking/ Emergency brake	Failsafe multidisc brake in rear axle.

Find us locally at www.atlascopco.com

We reserve the right to change specifications without notice. Photos and illustrations do not always show standard versions of machines. The above information is a general description only, all informations are supplied without liability.

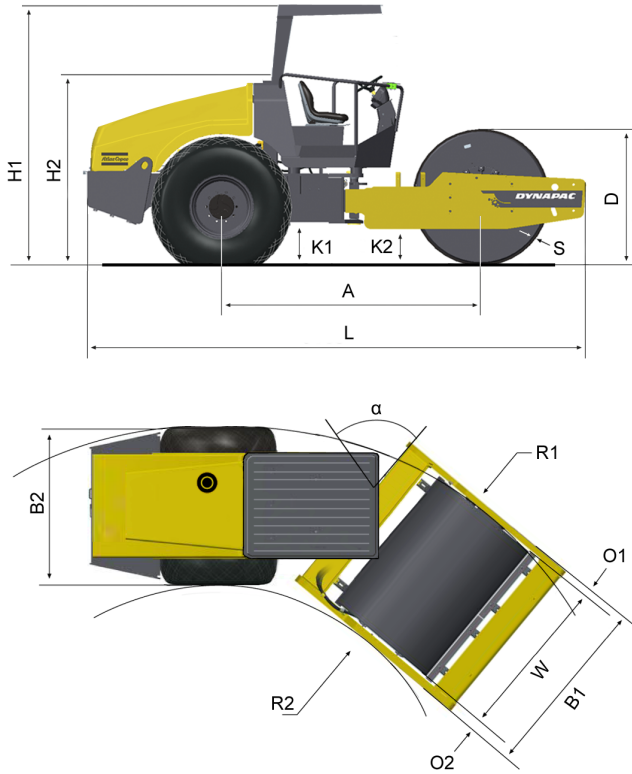
rce_ca150ad_en-20150611.095152.pdf 2015-06-11 09:51

Dynapac CA150AD

Single drum vibratory rollers



Technical data



Find us locally at www.atlascopco.com

We reserve the right to change specifications without notice. Photos and illustrations do not always show standard versions of machines. The above information is a general description only, all informations are supplied without liability.