

# Dynapac CA1500PD

## Single drum vibratory rollers

Atlas Copco



### Technical data



#### Masses

Operating mass (incl. ROPS)	15,500 lbs
Operating mass (incl. Cab)	15,900 lbs
Module mass (front/rear)	7,750/7,750 lbs
Max. operating mass	18,700 lbs



#### Propulsion

Speed range	0-7.5 mph
Tire size (8 ply)	14.9 x 24 TL
Theor. gradeability	55 %
Vertical oscillation	±9°



#### Compaction

Static linear load	117 lbs/in
Nominal amplitude (high/low)	0.071 in/0.031 in
Vibration frequency (high/low amplitude)	1,920 vpm/2,160 vpm
Centrifugal force (high/low amplitude)	29,900 lb/16,190 lb



#### Engine

Manufacturer/Model	Deutz TD3.6 (IIIB/T4)
Type	Water cooled turbo diesel
Rated power, ISO 14396	75 hp @ 2200 rpm
Fuel tank capacity	50 gal



#### Hydraulic system

Driving	Hydrostatic
Vibration	Hydrostatic
Steering	Hydrostatic
Service brake	Hydrostatic in forward and reverse lever.
Parking/Emergency brake	Failsafe multidisc brake in drum gear box and in rear axle.

Find us locally at [www.atlascopco.com](http://www.atlascopco.com)

We reserve the right to change specifications without notice. Photos and illustrations do not always show standard versions of machines. The above information is a general description only, all informations are supplied without liability.

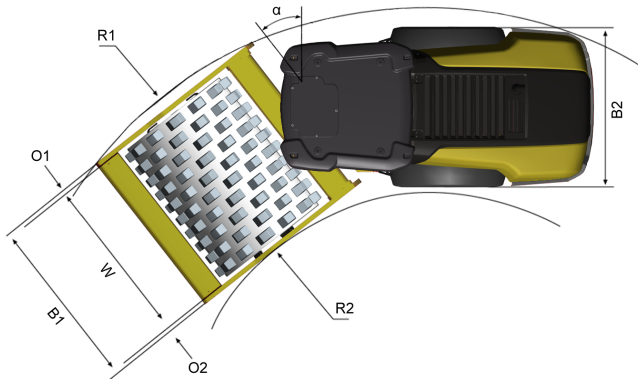
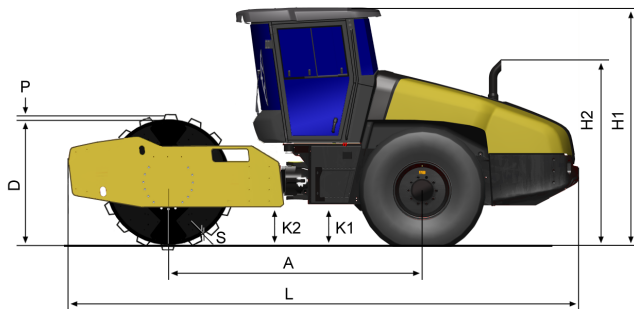
rce\_ca1500pd\_us-20160211.085902.pdf 2016-02-11 08:59

# Dynapac CA1500PD

## Single drum vibratory rollers

Atlas Copco

### Technical data



#### Dimensions

A. Wheelbase	106 in
B1. Width, front	73 in
B2. Width, rear	67 in
D. Drum diameter	48 in
H. Height, with ROPS/cab	107 in
K1. Ground clearance	13 in
K2. Curb clearance	14 in
L. Length	207.87 in
O1. Overhang, right	4 in
O2. Overhang, left	4 in
P. Pad height	4 in
R1. Turning radius, outside	16 ft
R2. Turning radius, inside	10 ft
S. Drum shell thickness	0.87 in
W. Drum width	66 in
$\alpha$ . Steering angle	$\pm 38^\circ$



#### Standard equipment

- 24V outlet socket, operator's platform
- Automatic vibration control
- Back up alarm
- Brake release
- Cross Mounted Engine
- Combi cooler with Hydraulically driven fan
- Display: Engine temp, Fuel level, Hydr. temp, Speedometer, Tachometer, Voltage
- Dual speed drum drive motor
- Emergency stop
- Filler cap inside lockable hood
- Hydraulic checkpoints
- Parking brake
- Shock mounted platform
- Steering wheel, adjustable
- Suspension seat, swivelling
- Storage Compartment
- Vandal cover
- Warning lights: Air cleaner, Brake, Clogged hyd. fluid filter, Engine oil pressure/temp, Hyd oil temp, Low charge, Low fuel
- 1m X 1m Visibility
- Zero spill oil & coolant change

Find us locally at [www.atlascopco.com](http://www.atlascopco.com)

We reserve the right to change specifications without notice. Photos and illustrations do not always show standard versions of machines. The above information is a general description only, all informations are supplied without liability.

rce\_ca1500pd\_us-20160211.085902.pdf 2016-02-11 08:59