

Dynapac CA1300PD

Single drum vibratory rollers

Atlas Copco



Technical data



Masses

Operating mass (incl. ROPS)	10,500 lbs
Module mass (front/rear)	4,400 lbs/6,100 lbs
Max. operating mass	11,500 lbs



Propulsion

Speed range	0-4 mph
Tire size (8 ply)	12.5-20
Theor. gradeability	52 %
Vertical oscillation	±9
Number of pads	72
Pad area	8.2 in ²



Compaction

Nominal amplitude	0.059 in
Vibration frequency	2,100 vpm
Centrifugal force	20,000 lb



Engine

Manufacturer/Model	Kubota V 3307 CR-TE4 (Stage IIIB/Tier4)
Type	Water cooled turbo Diesel
Rated power, SAE J1995	75 hp @ 2,200 rpm
Fuel tank capacity	31 gal



Hydraulic system

Driving	Axial piston pump with variable displacement. Axial piston motor with constant displacement. Axial piston motor with constant displacement.
Vibration	Gear pump/motor with constant displacement.
Steering	Gear pump with constant displacement.
Service brake	Hydrostatic in forward and reverse lever.
Parking/Emergency brake	Failsafe multidisc brake in rear axle and front drum motor.

Find us locally at www.atlascopco.com

We reserve the right to change specifications without notice. Photos and illustrations do not always show standard versions of machines. The above information is a general description only, all informations are supplied without liability.

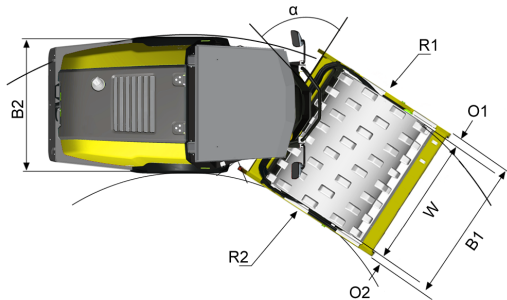
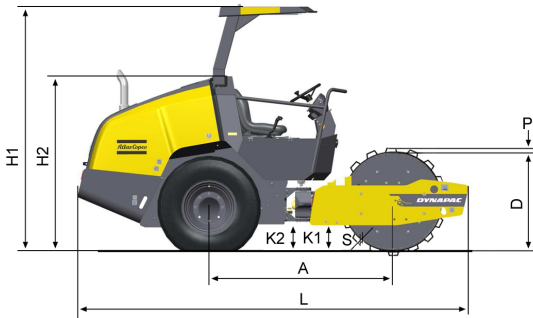
rce_ca1300pd_us-20151130.162600.pdf 2015-11-30 16:26

Dynapac CA1300PD

Single drum vibratory rollers

Atlas Copco

Technical data



Dimensions

A. Wheelbase	73 in
B1. Width, front	59 in
B2. Width, rear	55 in
D. Drum diameter	39 in
K1. Ground clearance	10 in
K2. Curb clearance	10 in
L. Length	156 in
O1. Overhang, right	2 in
O2. Overhang, left	2 in
P. Pad height	3 in
R1. Turning radius, outside	13 ft
R2. Turning radius, inside	8 ft
S. Drum shell thickness	0.87 in
W. Drum width	54 in
α. Steering angle	±33°



Standard equipment

Back up alarm, Battery switch (std), Brake release, Cup and can holder, Differential lock (limited slip), Drive control (right side), Drum drive (pad drum), ECO mode, Emergency stop, Engine 55 kW (StageIIIB/Tier4final), Engine hood (lockable), Fuel level display, High mounted exhaust pipe, Horn, Hour meter display, Hydraulic checkpoints, Hydraulic fluid filter ("spin-on"), Hydraulic fluid (mineral), Interlock, Key (starter), Lifting points, Lifting points for jack, Manuals (Operation & Maintenance), Manuals (Spare parts catalogue), Operator's platform (rubber mouted), Operator's station (fixed), Parking brake, ROPS (fixed), Seat (adjustable), Seat belt 3", Storage box (on platform), Storage for laminated manuals, Tie down points, Vandal cover (instrument panel), Warning lights (brake, engine oil pressure, engine oil temperature, engine diagnostics, low charge, low fuel level)

Find us locally at www.atlascopco.com

We reserve the right to change specifications without notice. Photos and illustrations do not always show standard versions of machines. The above information is a general description only, all informations are supplied without liability.

rce_ca1300pd_us-20151130.162600.pdf 2015-11-30 16:26