

# Dynapac CA1300D

## Single drum vibratory rollers

*Atlas Copco*



### Technical data



#### Masses

Operating mass (incl. ROPS)	10,600 lbs
Module mass (front/rear)	4,500/6,100 lbs
Max. operating mass	11,700 lbs



#### Propulsion

Speed range	0-4 mph
Tire size (8 ply)	12,5-20
Theor. gradeability	55 %
Vertical oscillation	±9°



#### Compaction

Static linear load	73 lbs/in
Nominal amplitude	0.067 in
Vibration frequency	2,100 vpm
Centrifugal force	20,000 lb



#### Engine

Manufacturer/Model	Kubota V 3307 CR-TE4 (Stage IIIB/Tier4)
Type	Water cooled turbo Diesel
Rated power, SAE J1995	75 hp @ 2,200 rpm
Fuel tank capacity	31 gal



#### Hydraulic system

Driving	Axial piston pump with variable displacement. Axial piston motor with constant displacement. Radial piston motor with constant displacement.
Vibration	Gear pump/motor with constant displacement.
Steering	Gear pump with constant displacement.
Service brake	Hydrostatic in forward and reverse lever.
Parking/Emergency brake	Failsafe multidisc brake in rear axle and front drum motor.

Find us locally at [www.atlascopco.com](http://www.atlascopco.com)

We reserve the right to change specifications without notice. Photos and illustrations do not always show standard versions of machines. The above information is a general description only, all informations are supplied without liability.

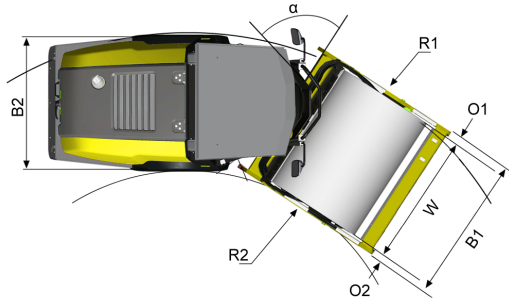
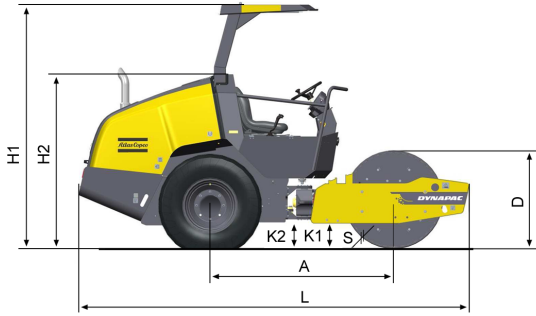
rce\_ca1300d\_us-20140515.091052.pdf 2014-05-15 09:10

# Dynapac CA1300D

## Single drum vibratory rollers

Atlas Copco

### Technical data



#### Dimensions

A. Wheelbase	73 in
B1. Width, front	59 in
B2. Width, rear	55 in
D. Drum diameter	39 in
H1. Height, with ROPS/cab	100 in
H2. Height, w/o ROPS/cab	72 in
K1. Ground clearance	10 in
K2. Curb clearance	10 in
L. Length	156 in
O1. Overhang, right	2 in
O2. Overhang, left	2 in
R1. Turning radius, outside	13 ft
R2. Turning radius, inside	8 ft
S. Drum shell thickness	0.87 in
W. Drum width	54 in
α. Steering angle	±33°



#### Standard equipment

Back up alarm, Battery switch (std), Brake release, Cup and can holder, Differential lock (limited slip), Drive control (right side), Drum drive, ECO mode, Emergency stop, Engine 55 kW (StagelIIB/Tier4final), Engine hood (lockable), Fuel level display, High mounted exhaust pipe, Horn, Hour meter display, Hydraulic checkpoints, Hydraulic fluid filter ("spin-on"), Hydraulic fluid (mineral), Interlock, Key (starter), Lifting points, Lifting points for jack, Manuals (Operation & Maintenance), Manuals (Spare parts catalogue), Operator's platform (rubber mouted), Operator's station (fixed), Parking brake, ROPS (fixed), Seat (adjustable), Seat belt 3", Storage box (on platform), Storage for laminated manuals, Tie down points, Vandal cover (instrument panel), Warning lights (brake, engine oil pressure, engine oil temperature, engine diagnostics, low charge, low fuel level)



#### Service and repair kits

Type of kit	P/N	Serial Number/Additional info
50h service kit	4812159573	Not including oil S/N 10000159X0A000001
500h service kit	4812159484	Not including oil S/N 10000159X0A000001
1000h service kit	4812159486	Not including oil S/N 10000159X0A000001
50h service kit	4812159483	Including oil
500h service kit	4812159485	Including oil
1000h service kit	4812159487	Including oil
2000h service kit	4812159490	Including oil
Service kit	4812159569	Start up kit
Steering hitch kit	4700950156	
Eccentric shaft kit	4700950153	
Drum rotation kit	4700950154	
Shock absorber kit	4812156185	

Find us locally at [www.atlascopco.com](http://www.atlascopco.com)

We reserve the right to change specifications without notice. Photos and illustrations do not always show standard versions of machines. The above information is a general description only, all informations are supplied without liability.